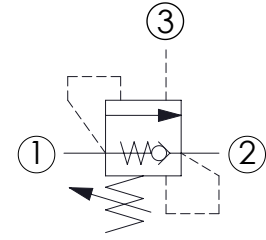
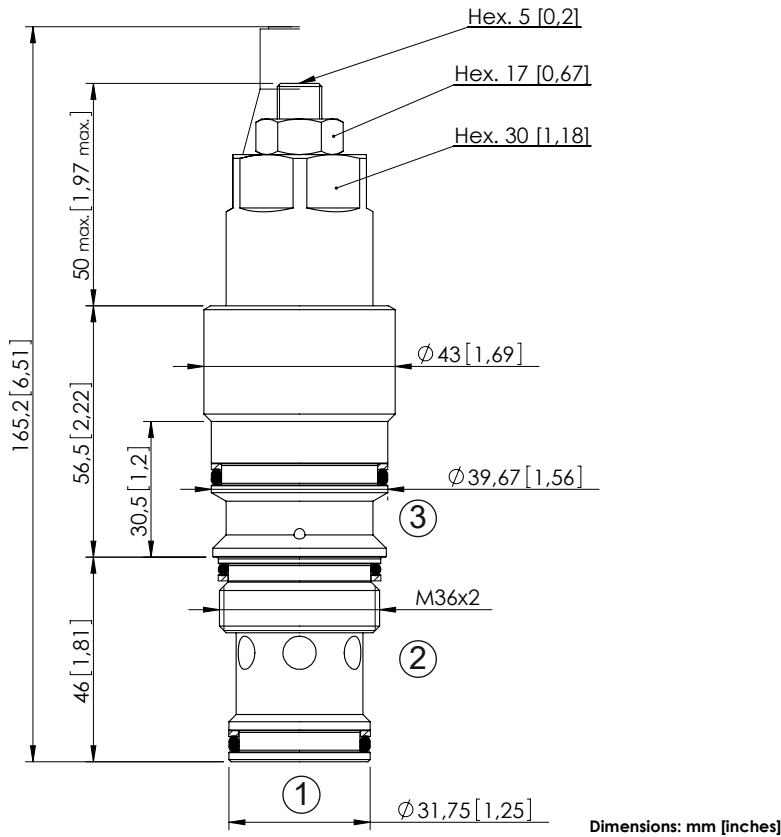


OVERCENTRE VALVE

CBSN-240-DSGH

POPPET TYPE
DIFFERENTIAL AREA



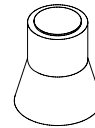
SPECIFICATIONS

Max. operating pressure:	350 bar (5000 psi)
Rated flow:	240 l/min (63 gpm)
Cavity:	VP000166 (SUN T-17A)
Weight:	0,73 kg (1,61 lbs)
Installation torque:	135 - 150 Nm (100 - 111 ft-lb)
Seal kit:	RC700166
Contamination class to ISO 4406:	See technical spec.
MTF _d :	150 years

NOTES

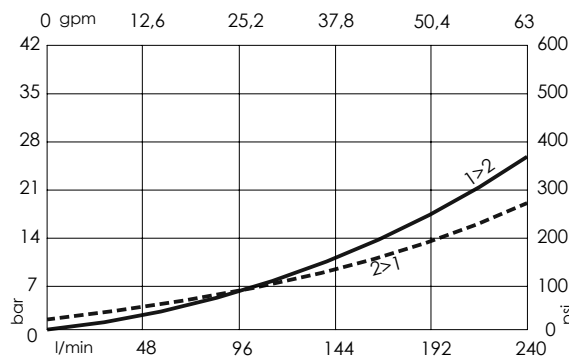
Setting: at least 1.3 times the load induced pressure.
Turn clockwise to increase the setting.

SEALING CAP



Ordering code:
AT000022

CURVES



ORDERING CODES

Quick code	Description	Pilot ratio	Standard setting Q=5 l/min (1,3 gpm)	Adjustment range	Pressure increase
CB000028	CBSN-240-DSGH-04-166-N350	4:1	350 bar (5000 psi)	140-350 bar (2000-5000 psi)	114 bar/turn (1600 psi/turn)