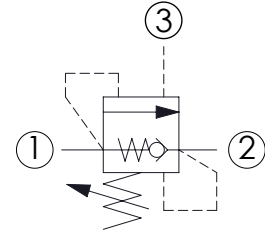
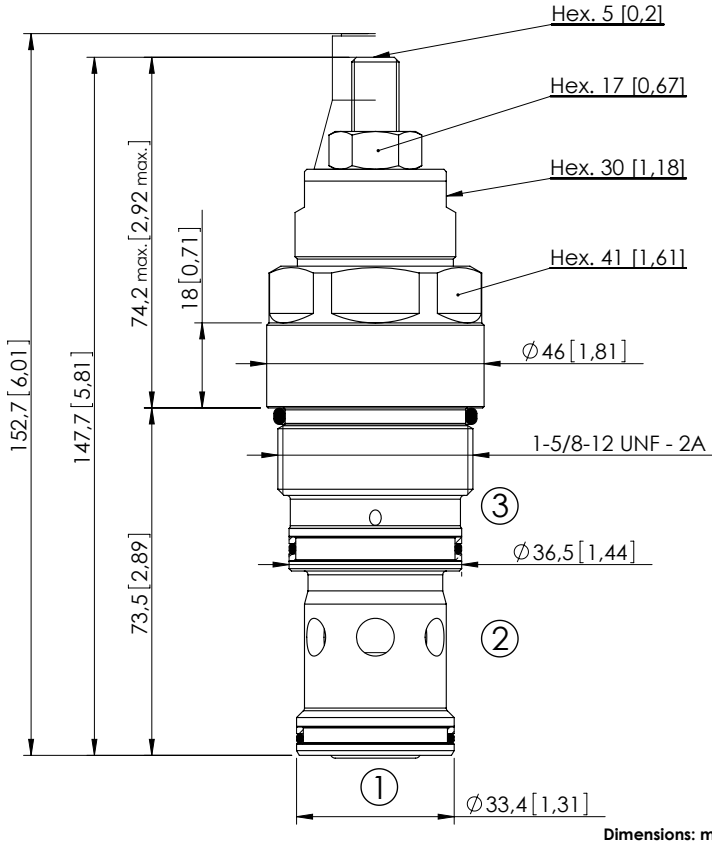


OVERCENTRE VALVE

CBSN-320-DARR

DIFFERENTIAL AREA
POPPET TYPE



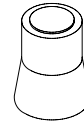
SPECIFICATIONS

Max. operating pressure:	350 bar (5000 psi)
Rated flow:	320 l/min (85 gpm)
Cavity:	SAE-20-3C
Weight:	0,87 kg (1,92 lbs)
Installation torque:	280 - 300 Nm (207 - 221 ft-lb)
Seal kit:	RB900090
Contamination class to ISO 4406:	See technical spec.
MTF _d :	150 years

NOTES

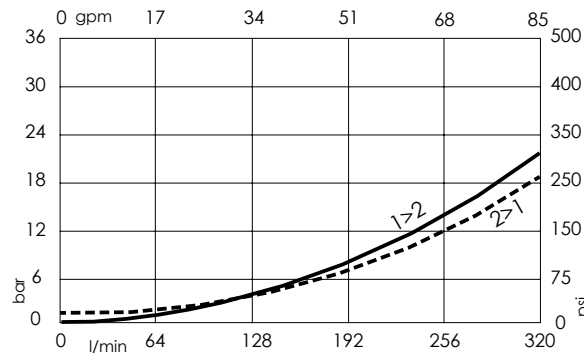
Setting: at least 1.3 times the load induced pressure.

SEALING CAP



Ordering code:
AT000021

CURVES



ORDERING CODES

Quick code	Description	Pilot ratio	Standard setting Q=5 l/min (1,3 gpm)	Adjustment range	Pressure increase
CB000025	CBSN-320-DARR-04-S20-N350	4:1	350 bar (5000 psi)	140-350 bar (2000-5000 psi)	120 bar/turn (1700 psi/turn)
CB000026	CBSN-320-DARR-04-S20-N200	4:1	200 bar (2900 psi)	70-210 bar (1000-3000 psi)	47 bar/turn (700 psi/turn)
CB000027	CBSN-320-DARR-08-S20-N350	8:1	350 bar (5000 psi)	140-350 bar (2000-5000 psi)	87 bar/turn (1300 psi/turn)