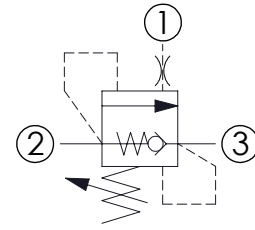
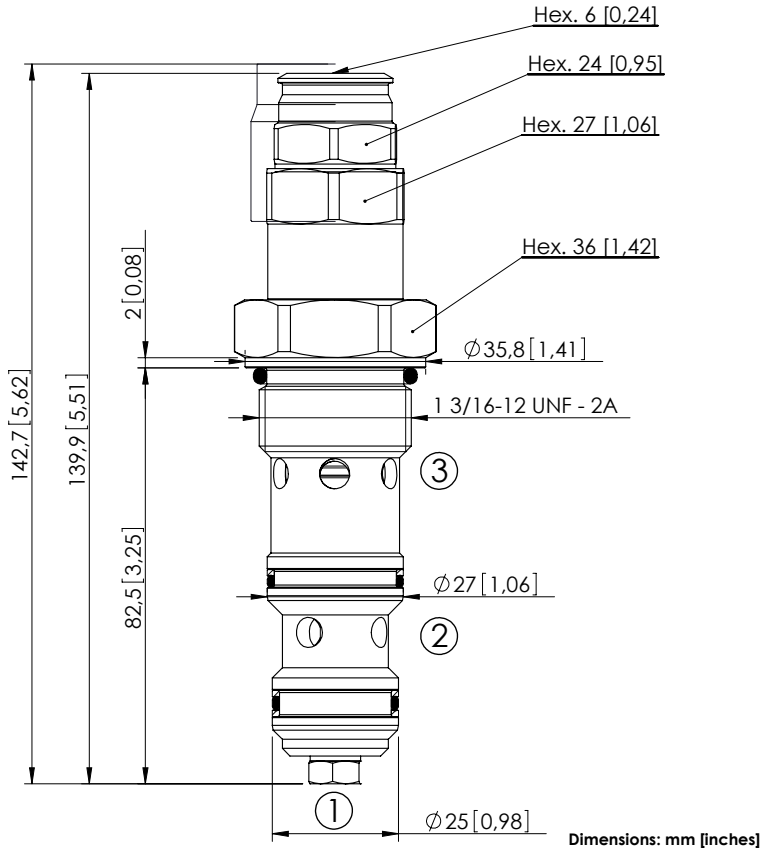


OVERCENTRE VALVE

# CBSN-100-DCNH

DIFFERENTIAL AREA



### SPECIFICATIONS

Max. operating pressure:	350 bar (5000 psi)
Rated flow:	100 l/min (26 gpm)
Cavity:	VP000120
Weight:	0,52 kg (1,15 lbs)
Installation torque:	150 - 200 Nm (111 - 148 ft-lb)
Seal kit:	RD700120
Contamination class to ISO 4406:	See technical spec.
MTF <sub>d</sub> :	150 years

### NOTES

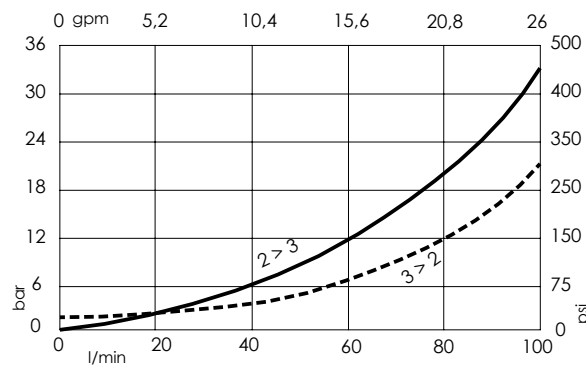
Setting: at least 1.3 times the load induced pressure.

### SEALING CAP



Ordering code:  
PT000243

### CURVES



### ORDERING CODES

Quick code	Description	Pilot ratio	Standard setting Q=5 l/min (1,3 gpm)	Adjustment range	Pressure increase
CB000015	CBSN-100-DCNH-04-120-N350	3,8:1	350 bar (5000 psi)	100-350 bar (1400-5000 psi)	118 bar/turn (1700 psi/turn)
CB000113	CBSN-100-DCNH-04-120-N200	3,8:1	200 bar (2900 psi)	60-210 bar (850-3000 psi)	68 bar/turn (1000 psi/turn)
CB000094	CBSN-100-DCNH-08-120-N350	8:1	350 bar (5000 psi)	100-350 bar (1400-5000 psi)	118 bar/turn (1700 psi/turn)
CB000114	CBSN-100-DCNH-08-120-N200	8:1	200 bar (2900 psi)	60-210 bar (850-3000 psi)	68 bar/turn (1000 psi/turn)