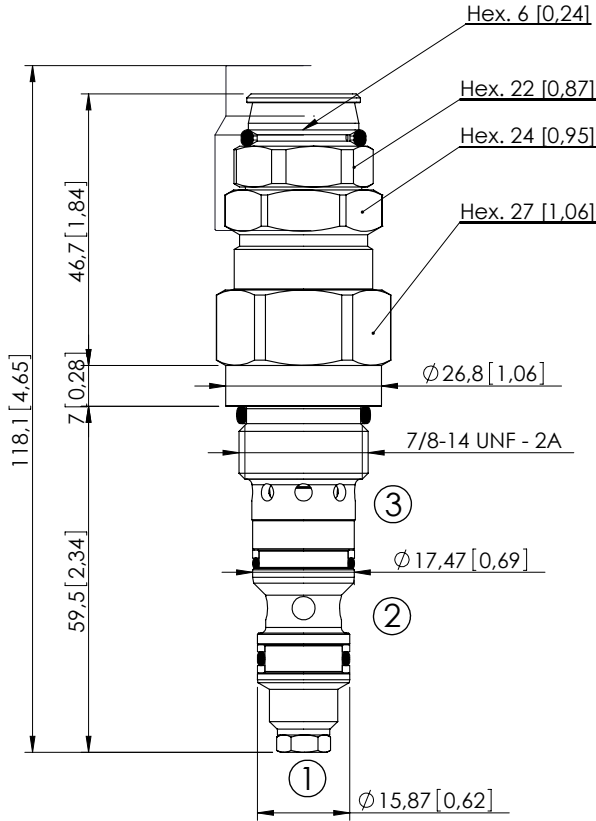


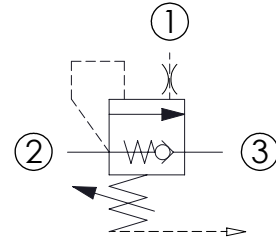
OVERCENTRE VALVE

# CBST-040-DCNH

FULLY COMPENSATED



Dimensions: mm [inches]



## SPECIFICATIONS

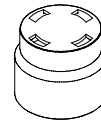
Max. operating pressure:	350 bar (5000 psi)
Rated flow:	40 l/min (11 gpm)
Cavity:	VP000174
Weight:	0,26 kg (0,57 lbs)
Installation torque:	65 - 85 Nm (48 - 63 ft-lb)
Seal kit:	RD700174
Contamination class to ISO 4406:	See technical spec.
MTF <sub>d</sub> :	150 years

## NOTES

Setting: at least 1.3 times the load induced pressure.

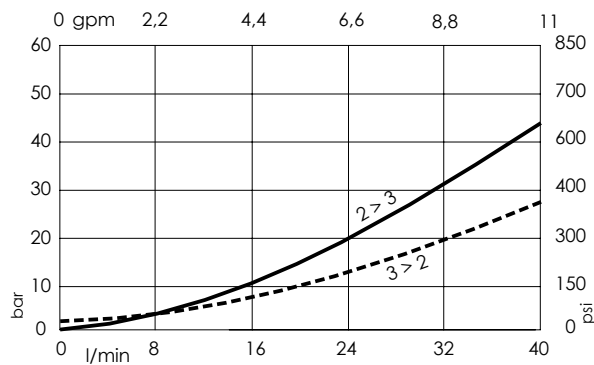
For other configurations/quick codes not available in this catalogue page please consult factory

## SEALING CAP



Ordering code:  
PT000258

## CURVES



## ORDERING CODES

Quick code	Description	Pilot ratio	Standard setting Q=5 l/min (1,3 gpm)	Adjustment range	Pressure increase
CB000008	CBST-040-DCNH-04-174-N350	4,1:1	350 bar (5000 psi)	100-350 bar (1400-5000 psi)	144 bar/turn (2100 psi/turn)
CB000051	CBST-040-DCNH-04-174-N200	4,1:1	200 bar (2900 psi)	60-210 bar (900-3000 psi)	66 bar/turn (950 psi/turn)