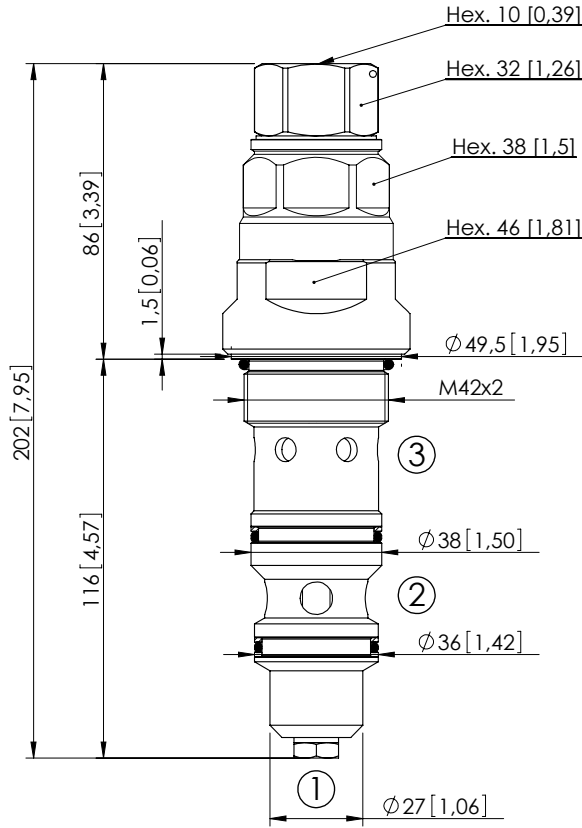


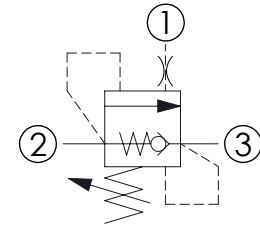
OVERCENTRE VALVE

CBSN-300-DCNH

DIFFERENTIAL AREA



Dimensions: mm [inches]



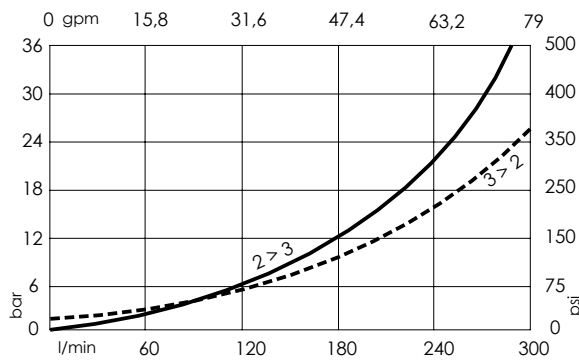
SPECIFICATIONS

Max. operating pressure:	350 bar (5000 psi)
Rated flow:	300 l/min (79 gpm)
Cavity:	VP000127
Weight:	1,5 kg (3,31 lbs)
Installation torque:	246 - 272 Nm (181 - 201 ft-lb)
Seal kit:	RD900127
Contamination class to ISO 4406:	See technical spec.
MTFd:	150 years

NOTES

Setting: at least 1.3 times the load induced pressure.

CURVES



ORDERING CODES

Quick code	Description	Pilot ratio	Standard setting Q=5 l/min (1,3 gpm)	Adjustment range	Pressure increase
CB000005	CBSN-300-DCNH-04-127-N350	4:1	350 bar (5000 psi)	100-350 bar (1400-5000 psi)	75 bar/turn (1100 psi/turn)