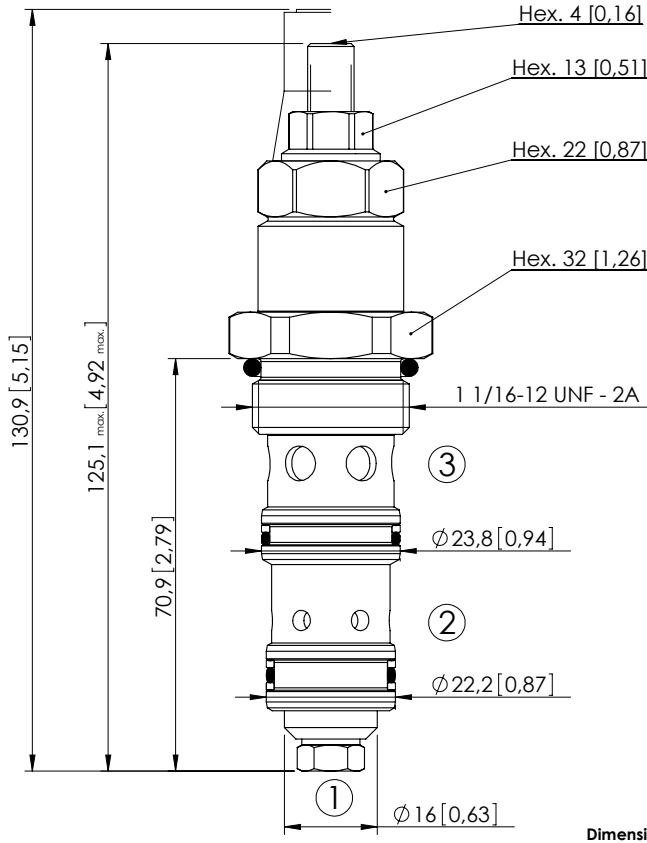


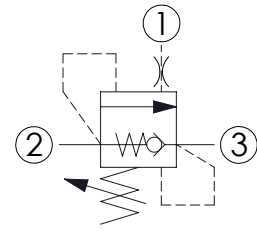
OVERCENTRE VALVE

CBSN-060-DCNH

DIFFERENTIAL AREA



Dimensions: mm [inches]



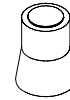
SPECIFICATIONS

Max. operating pressure:	350 bar (5000 psi)
Rated flow:	60 l/min (16 gpm)
Cavity:	VP000121
Weight:	0,31 kg (0,68 lbs)
Installation torque:	116 - 128 Nm (86 - 95 ft-lb)
Seal kit:	RD700121
Contamination class to ISO 4406:	See technical spec.
MTF _d :	150 years

NOTES

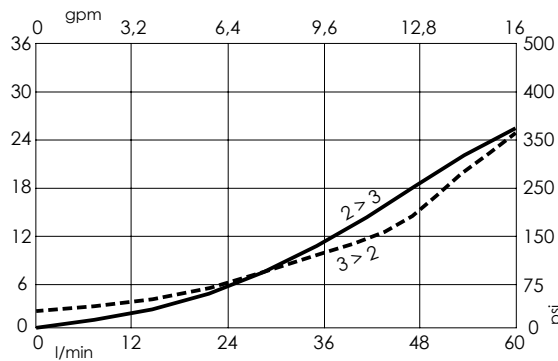
Setting: at least 1.3 times the load induced pressure.

SEALING CAP



Ordering code:
AT000020

CURVES



ORDERING CODES

Quick code	Description	Pilot ratio	Standard setting Q=5 l/min (1,3 gpm)	Adjustment range	Pressure increase
CB000002	CBSN-060-DCNH-04-121-N350	4,2:1	350 bar (5000 psi)	100-350 bar (1400-5000 psi)	139 bar/turn (2000 psi/turn)
CB000003	CBSN-060-DCNH-04-121-N200	4,2:1	200 bar (2900 psi)	60-210 bar (850-3000 psi)	62 bar/turn (900 psi/turn)