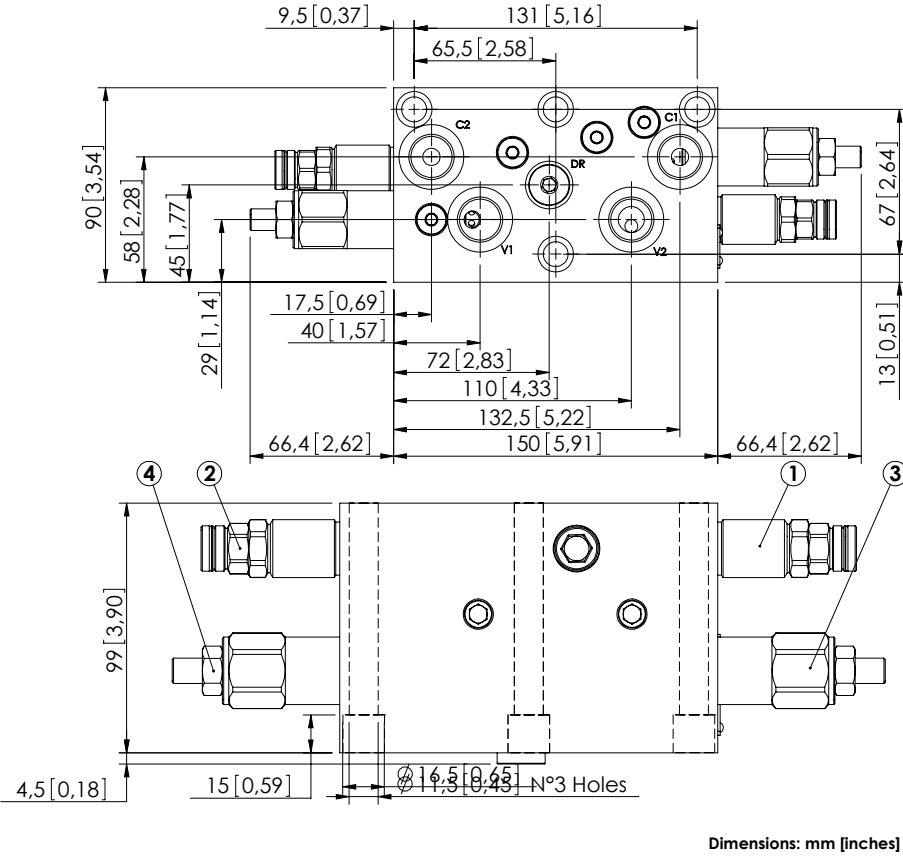
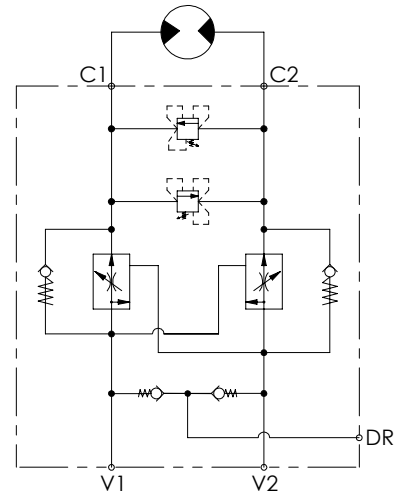


# BPTD-060-ALOU

FLOW REGULATOR  
WITH RELIEF VALVE



Dimensions: mm [inches]



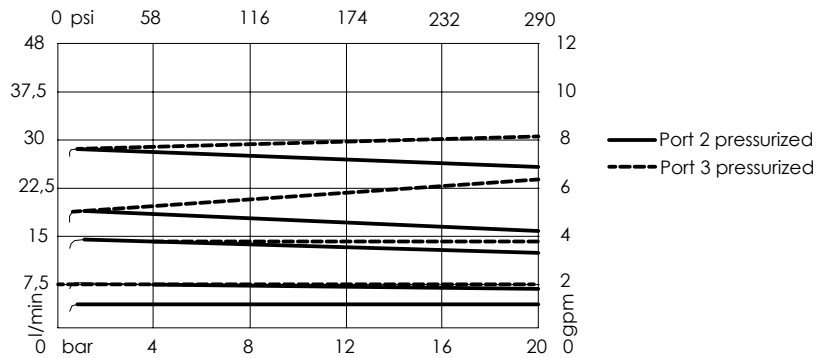
## SPECIFICATIONS

Max. operating pressure:	350 bar (5000 psi)
Rated flow:	60 l/min (16 gpm)
Regulated flow:	30 l/min (8 gpm)
Manifold:	Steel
Weight:	9,79 kg (21.5 lbs)
Contamination class to ISO 4406:	See technical spec.
MTF <sub>d</sub> :	150 - 1200 years: See technical spec.

## NOTES

For other configurations/quick codes not available in this catalogue page please consult factory

## CURVES



## ORDERING CODES

Quick code	Description	Ports	Standard setting Q=5 l/min (1,3 gpm)	Adjustment range	Pressure increase
BP000039	BPTD-060-ALOU-NP-G12-N350	V1,V2,C1,C2: G 1/2" DR: G 1/4"	90 bar (1300 psi)	30-100 bar (400-1500 psi)	20 bar/turn (300 psi/turn)