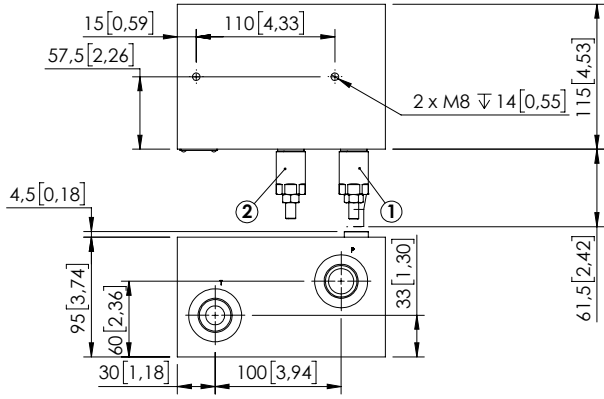
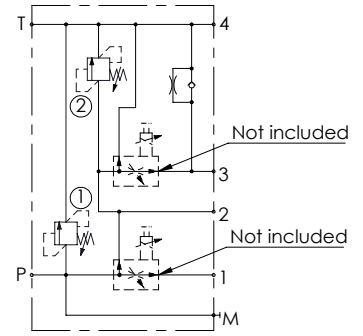
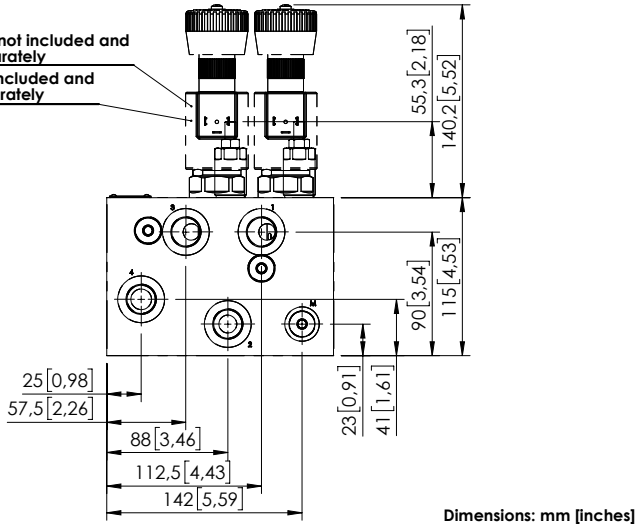


BFRM-140-LLLO

PROPORTIONAL VALVE



Proportional valve not included and to be ordered separately
Coil type M15 not included and to be ordered separately



SPECIFICATIONS

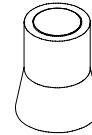
Max. operating pressure:	250 bar (3600 psi)
Rated flow:	140 l/min (37 gpm)
Max. regulated flow:	0-80 l/min (0-21 gpm)
Manifold:	Aluminium
Weight:	4,4 kg (9.7 lbs)
Coil type:	M15
Cavity type:	SAE-16-3N
Contamination class to ISO 4406:	See technical spec.
MTF _a :	150 - 1200 years: See technical spec.

NOTES

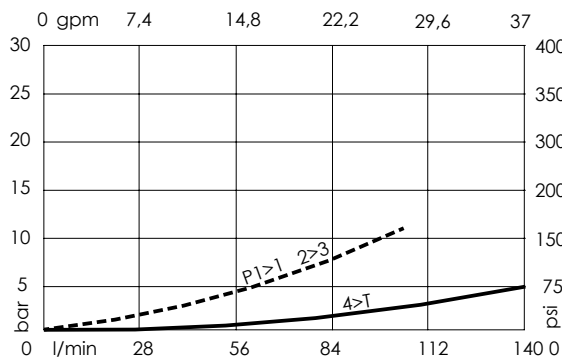
See chapter 21.00.000 for coils info.
See chapter 16.00.000 for proportional valves info.
For other configurations/quick codes not available in this catalogue page please consult factory

SEALING CAP

Ordering code:
AT000020



CURVES



ORDERING CODES

Quick code	Description	Ports	Standard setting Q=5 l/min (1,3 gpm)	Adjustment range	Pressure increase bar/turn (psi/turn)
BF000020	BFRM-140-LLLO-02-M27-N250	1,2,3,4: M22x1,5 P,T: M27x2 M: M14x1,5	① 200 bar (2900 psi) ② 100 bar (1500 psi)	① 50-210 bar (700-3000 psi) ② 30-100 bar (400-1500 psi)	① 42 (600) ② 22 (300)