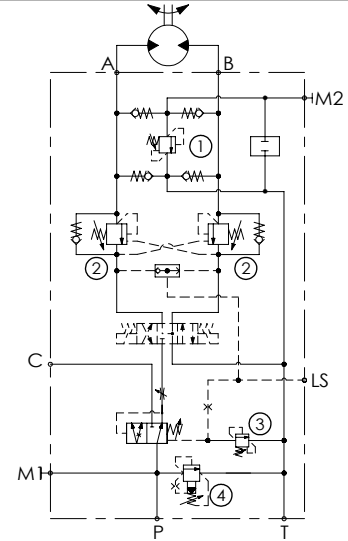
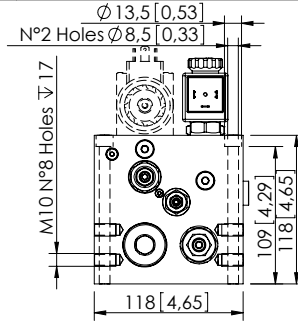
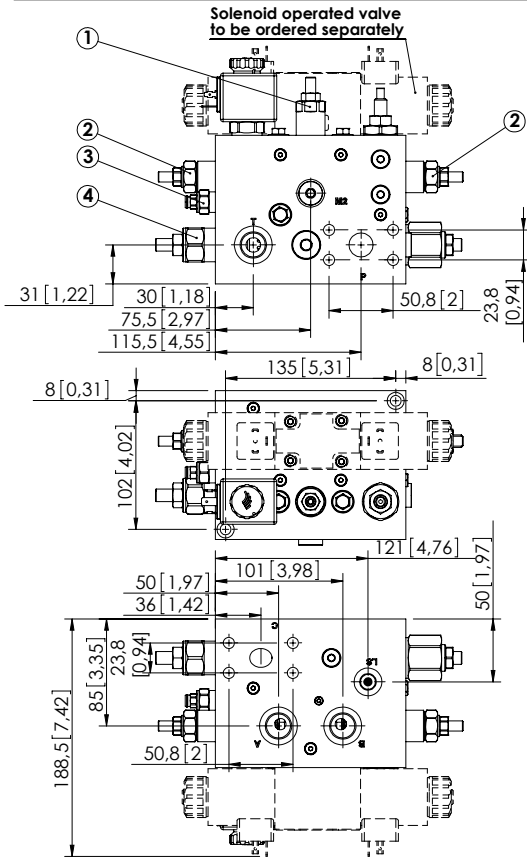


BDF-200-AFLC

EXCAVATOR ATTACHMENT
FUNCTION - 3/4" SAE 6000



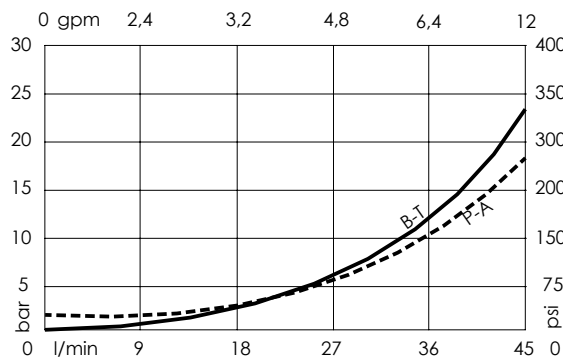
SPECIFICATIONS

Max. operating pressure:	350 bar (5000 psi)
Max. rated flow:	200 l/min (53 gpm)
Rated flow in A-B:	45 l/min (12 gpm)
Manifold:	Steel
Weight:	16,02 kg (35,2 lbs)
Contamination class to ISO 4406:	See technical spec.
MTF _d :	150 years

NOTES

Our spring on the compensator is adjustable from 5 to 15 bar (75-200 psi), the max flow in A and B depend on the Δp curve of the electrical valve.
For other configurations/quick codes not available in this catalogue page please consult factory

CURVES



ORDERING CODES

Quick code	Description	Pilot ratio	Ports	Standard setting Q=5 l/min-bar (1,3 gpm-psi)	Adjustment range bar (psi)	Pressure increase bar/turn (psi/turn)
BD000082	BDF-200-AFLC-04-S34-N350	4:1	P,C: 3/4" SAE 6000 A,B,T: G 3/4" M,LS: G 1/4"	①:220 (3200) ③:200 (2900) ②:260 (3700) ④:250 (3600)	①②:100-350 (1500-5000) ③:120-350 (1700-5000) ④:140-350 (2000-5000)	①:91 (1300) ③:165 (2400) ②:138 (2000) ④:114 (1600)