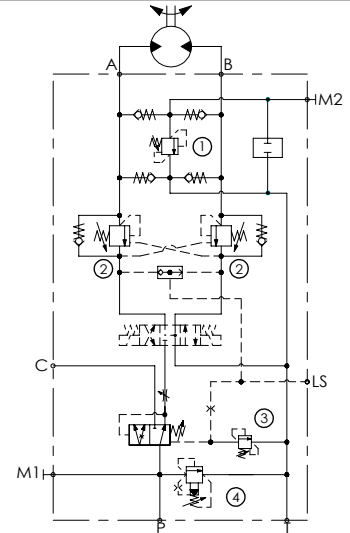
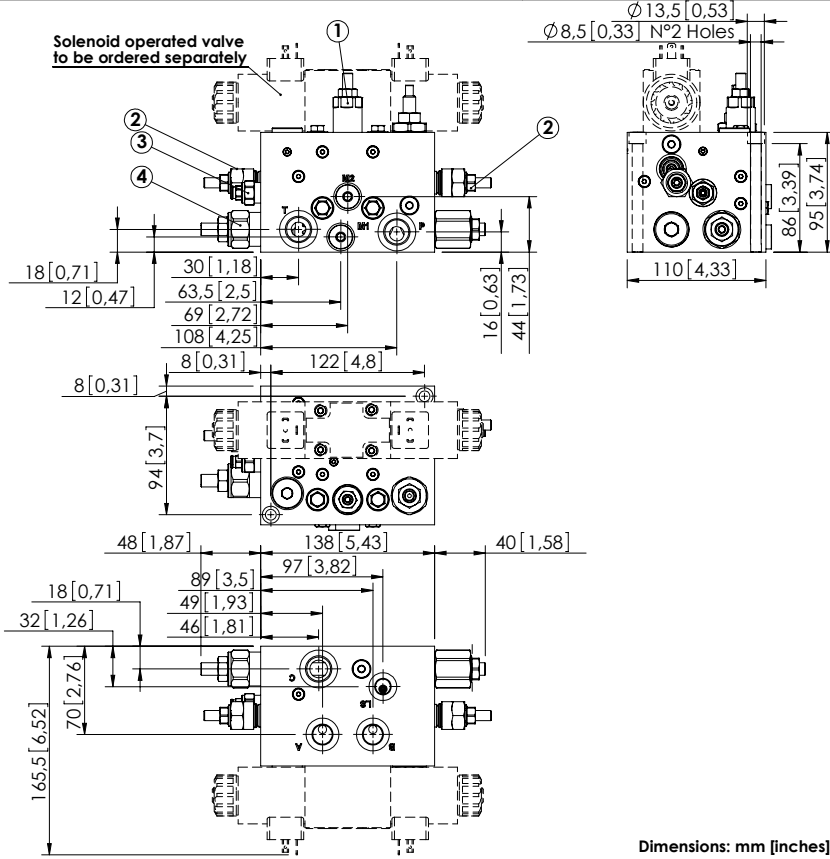


# BDTF-100-ALLC

EXCAVATOR ATTACHMENT  
FUNCTION - G 1/2"



## SPECIFICATIONS

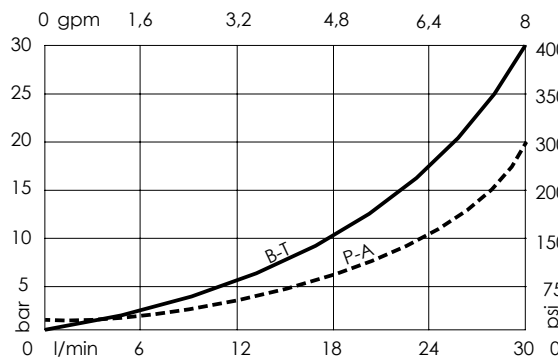
Max. operating pressure:	350 bar (5000 psi)
Max. rated flow:	100 l/min (26 gpm)
Rated flow in A-B:	30 l/min (8 gpm)
Manifold:	Steel
Weight:	10,96 kg (24,2 lbs)
Contamination class to ISO 4406:	See technical spec.
MTTF <sub>d</sub> :	150 - 1200 years: See technical spec.

## NOTES

Our spring on the compensator is adjustable from 5 to 15 bar (75-200 psi), the max flow in A and B depend on the  $\Delta p$  curve of the electrical valve.

For other configurations/quick codes not available in this catalogue page please consult factory

## CURVES



## ORDERING CODES

Quick code	Description	Pilot ratio	Ports	Standard setting Q=5 l/min-bar (1,3 gpm-psi)	Adjustment range bar (psi)	Pressure increase bar/turn (psi/turn)
BD000081	BDTF-100-ALLC-04-G12-N350	4:1	P,T,C: G 1/2" A,B: G 3/8" M,LS: G 1/4"	①:220 (3200) ③:200 (2900) ②:260 (3700) ④:250 (3600)	①②:100-350 (1500-5000) ③:120-350 (1700-5000) ④:140-350 (2000-5000)	①:91 (1300) ③:165 (2400) ②:184 (2600) ④:114 (1600)