

How to use Atlantic Fluid Tech smartphone app

1- Install the app to your favourite store.

Android: <http://www.atlanticfluidtech.com/androidstore>

Apple: <http://www.atlanticfluidtech.com/applestore>

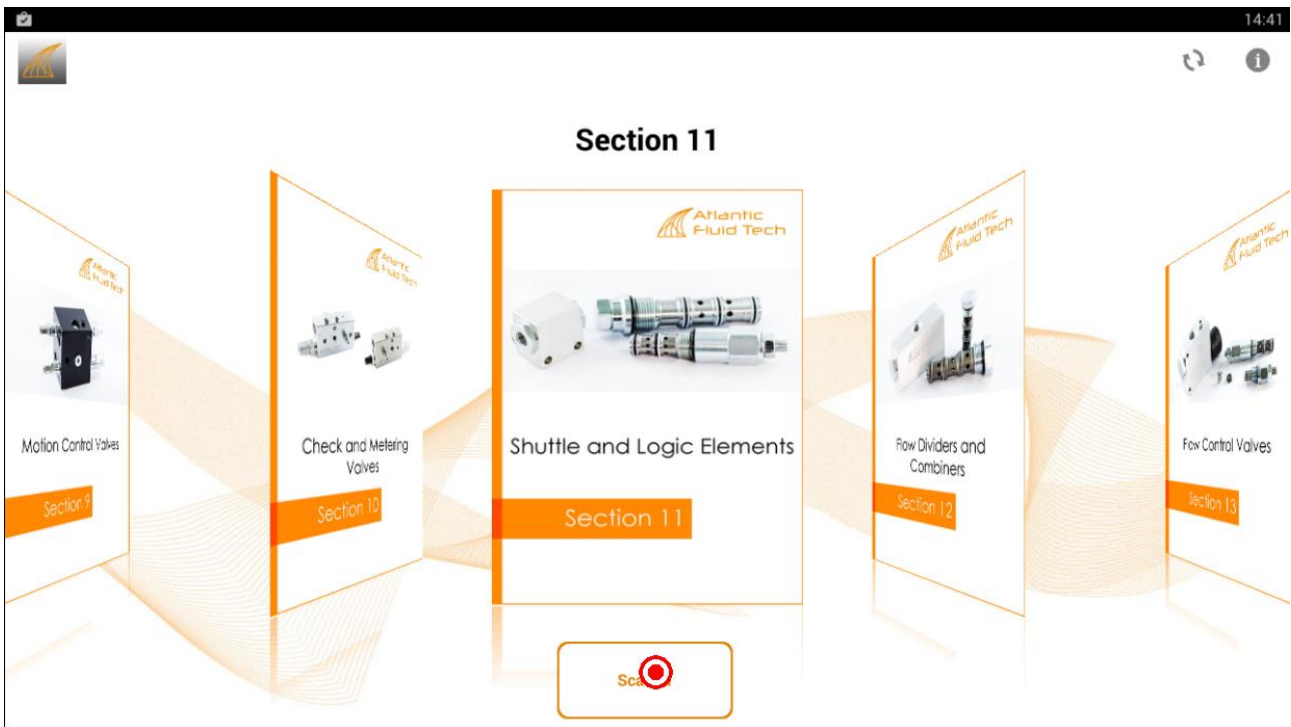
2- Start the app.



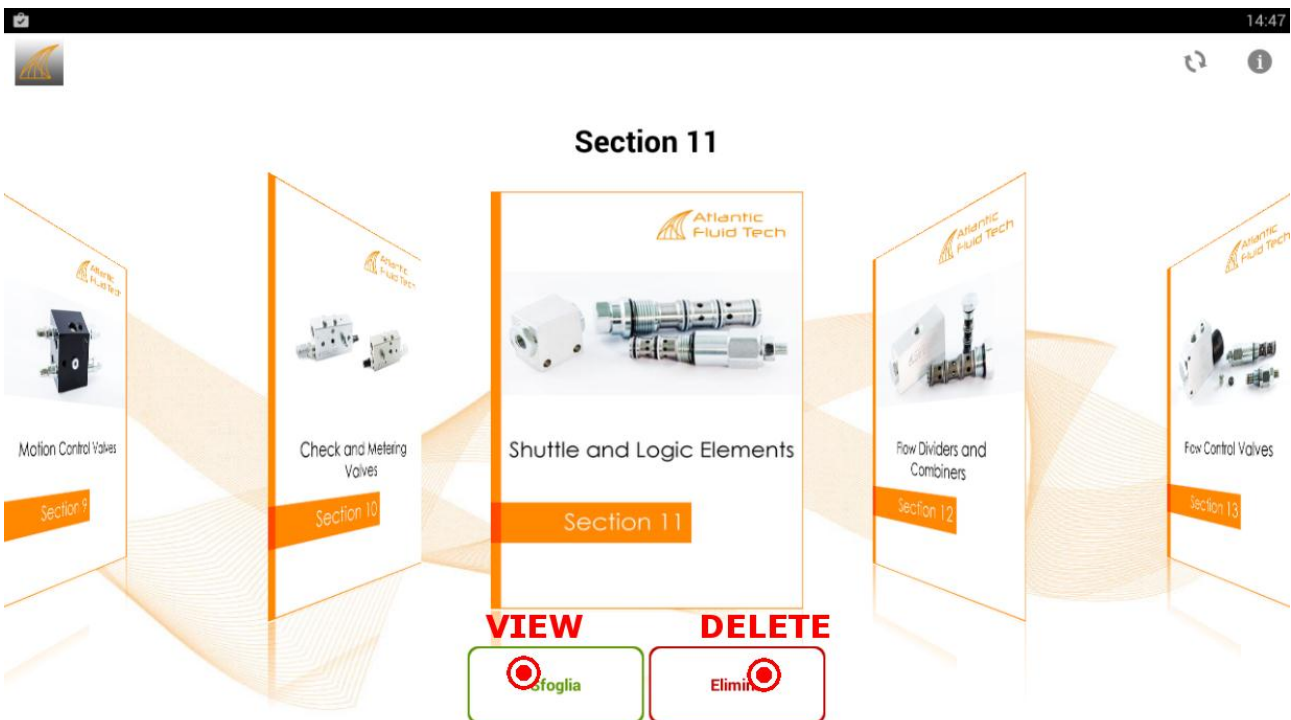
3- Select the chapter of your interest using your finger to swipe right or left.



4- Select "Download" to download that specific section to our section.



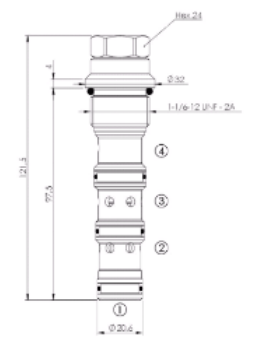
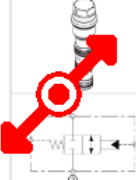
5- After download you can "View" the section or "Delete" it.



8- When you see a single page you can use pinch to zoom to enlarge the view.

15:47

LOGIC ELEMENTS
CDLC-150-CCTB DIRECT ACTING SPool TYPE

SPECIFICATIONS

Max. operating pressure:	450 bar
Rated flow:	180 l/min
Config.:	2AE-12-4H
Weight:	0.33 kg

NOTES

Inch/decim conversion:	125 - 132 mm
Serial kit:	88706100

ORDERING CODES

Quick code	Description	Cracking pressure limit
CD000105	CDLC-150-CCTB-FN-512-N007	7,5 (0/+2)

Rev. 04/16 11.07.090

9- If you see a chapter with a “NEW” tag, you have to update that to see a last version.

15:39

Section 11

