

COIL

COIL SERIES M16



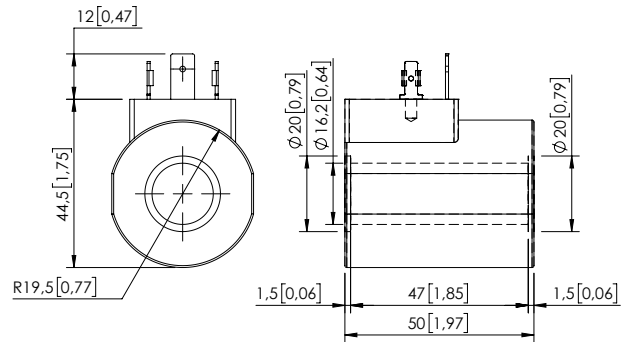
SPECIFICATION - NOTES

Heat insulation	Class H (180°C) (356°F)
Insulation class	See table (with all seals properly mounted)
Weight	See table
Ambient temperature	-20 + 50°C (-4/+122 °F)
Inlet voltage	±10% tol.
Contamination class to ISO 4406:	See technical spec.
MTF <sub>d</sub> :	150 - 1200 years: See technical spec.

For other configurations/quick codes not available in this catalogue page please consult factory

DIN 43650 - ISO 4400

Code parts	Description	Voltage	Resistance (±7%)	Power (W)	Current (A)	Insul. class	Weight
AB000222	M16 HS 12V Class H	12 DC	5,54	26	2,17	IP65	0,3 kg (0,66 lbs)
AB000236	M16 HS 24V Class H	24 DC	22,15	26	1,08		
AB000234	M16 HS 48V Class H	48 DC	88,62	26	0,54		

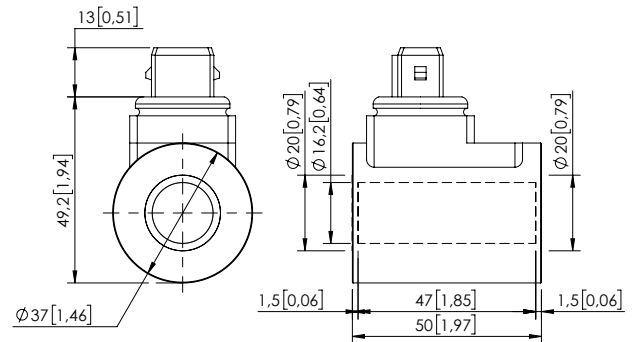


Dimensions: mm [inches]

AMP JUNIOR

Code parts	Description	Voltage	Resistance (±7%)	Power (W)	Current (A)	Insul. class	Weight
AB000218	M16 AJ 12V Class H	12 DC	5,54	26	2,17	IP67	0,3 kg (0,66 lbs)
AB000252	M16 AJ 24V Class H	24 DC	22,15	26	1,08		

With bi-directional diode.



Dimensions: mm [inches]

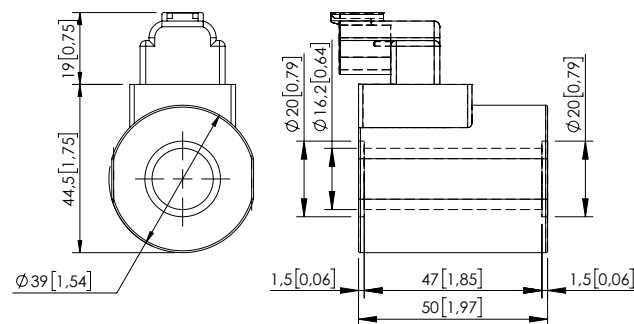
DEUTSCH DT04-2P-V

Code parts	Description	Voltage	Resistance (±7%)	Power (W)	Current (A)	Insul. class	Weight
AB000209	M16 DTV 12V Class H	12 DC	5,54	26	2,17	IP69	0,33 kg (0,66 lbs)
AB000212	M16 DTV 24V Class H	24 DC	22,15	26	1,08		
AB000210	M16 DTV 26V Class H	26 DC	26	26	1		

With bi-directional diode.

Code parts	Description	Voltage	Resistance (±7%)	Power (W)	Current (A)	Insul. class	Weight
AB000274	M16 DTV 12V Class H	12 DC	5,54	26	2,17	IP69	0,33 kg (0,66 lbs)
AB000267	M16 DTV 24V Class H	24 DC	22,15	26	1,08		

Without diode.



Dimensions: mm [inches]