

COIL

COIL SERIES M12

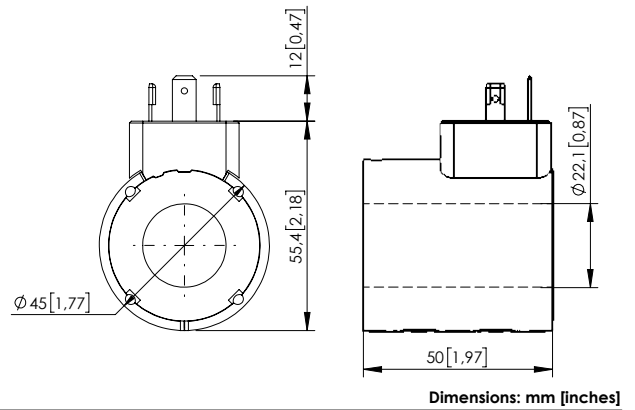


SPECIFICATION - NOTES

Heat insulation	Class H (180°C) (356°F)
Insulation class	See table (with all seals properly mounted)
Weight	See table
Ambient temperature	-20 + 50°C (-4/+122 °F)
Inlet voltage	±10% tol.
Contamination class to ISO 4406:	See technical spec.
MTF _d :	150 - 1200 years: See technical spec.

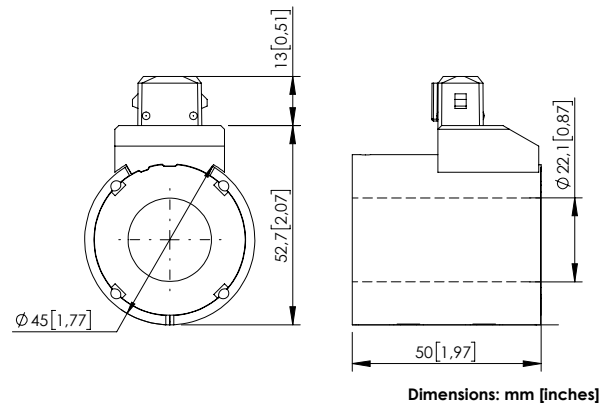
DIN 43650 - ISO 4400

Code parts	Description	Voltage	Resistance (±7%)	Power (W)	Current (A)	Insul. class	Weight
AB000167	M12 HS 12V Class H	12 DC	4,41	32,7	2,72	IP65	0,3 kg (0,66 lbs)
AB000168	M12 HS 24V Class H	24 DC	18,6	31	1,29		
AB000242	M12 HS 28V Class H	28 DC	24,5	32	1,15		



AMP JUNIOR

Code parts	Description	Voltage	Resistance (±7%)	Power (W)	Current (A)	Insul. class	Weight
AB000202	M12 AJ 12V Class H	12 DC	4,41	32,7	2,72	IP67	0,3 kg (0,66 lbs)
AB000203	M12 AJ 24V Class H	24 DC	18,6	31	1,29		



DEUTSCH DT04-2P-V

Code parts	Description	Voltage	Resistance (±7%)	Power (W)	Current (A)	Insul. class	Weight
AB000183	M12 DTV 12V Class H	12 DC	4,41	32,7	2,72	IP69	0,33 kg (0,66 lbs)
AB000185	M12 DTV 24V Class H	24 DC	18,6	31	1,29		

With bi-directional diode.

