

COIL

COIL SERIES M14



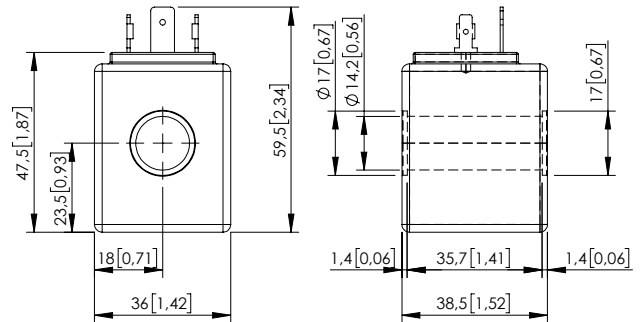
SPECIFICATION - NOTES

| | |
|----------------------------------|--|
| Heat insulation | Class H (180°C) (356°F) |
| Insulation class | See table (with all seals properly mounted) |
| Weight | See table |
| Ambient temperature | -20 + 50°C (-4/+122 °F) |
| Inlet voltage | ±10% tol. |
| Contamination class to ISO 4406: | See technical spec. |
| MTF _d : | 150 - 1200 years: See technical spec. |

For other configurations/quick codes not available in this catalogue page please consult factory

DIN 43650 - ISO 4400

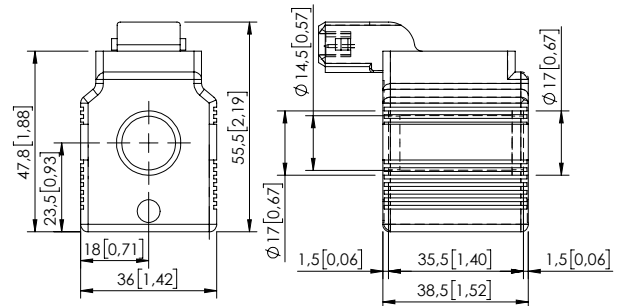
| Code parts | Description | Voltage | Resistance (±7%) | Power (W) | Current (A) | Insul. class | Weight |
|------------|--------------------|---------|------------------|-----------|-------------|--------------|------------------------|
| AB000143 | M14 HS 12V Class H | 12 DC | 5,53 | 26 | 2,17 | IP65 | 0,200 kg (0,44 lbs) |
| AB000145 | M14 HS 13V Class H | 13 DC | 6,5 | 26 | 2 | | |
| AB000144 | M14 HS 24V Class H | 24 DC | 22,15 | 26 | 1,08 | | |



Dimensions: mm [inches]

AMP JUNIOR

| Code parts | Description | Voltage | Resistance (±7%) | Power (W) | Current (A) | Insul. class | Weight |
|------------|--------------------|---------|------------------|-----------|-------------|--------------|------------------------|
| AB000136 | M14 AJ 12V Class H | 12 DC | 5,53 | 26 | 2,17 | IP67 | 0,208 kg (0,46 lbs) |
| AB000181 | M14 AJ 24V Class H | 24 DC | 22,15 | 26 | 1,08 | | |
| AB000131 | M14 AJ 48V Class H | 48 DC | 88,6 | 26 | 0,54 | | |

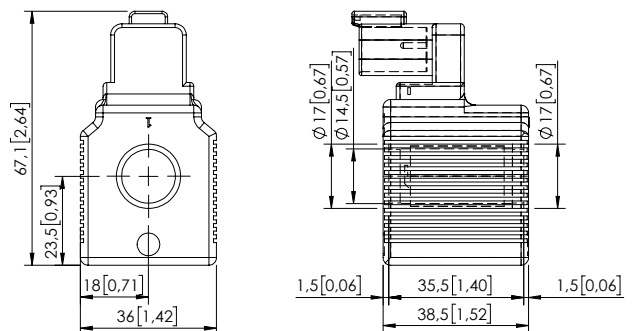


Dimensions: mm [inches]

DEUTSCH DT04-2P-V

| Code parts | Description | Voltage | Resistance (±7%) | Power (W) | Current (A) | Insul. class | Weight |
|------------|---------------------|---------|------------------|-----------|-------------|--------------|------------------------|
| AB000132 | M14 DTV 12V Class H | 12 DC | 5,53 | 26 | 2,17 | IP69 | 0,217 kg (0,48 lbs) |
| AB000133 | M14 DTV 24V Class H | 24 DC | 22,15 | 26 | 1,08 | | |
| AB000211 | M14 DTV 26V Class H | 26 DC | 26 | 26 | 1 | | |

With bi-directional diode.



Dimensions: mm [inches]
Revision C