

COIL

COIL SERIES M15



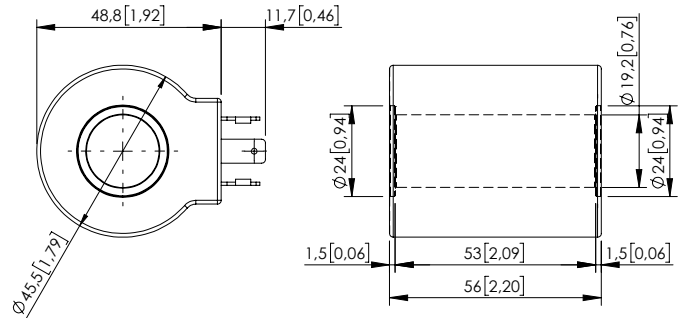
SPECIFICATION - NOTES

Heat insulation	Class H (180°C) (356°F)
Insulation class	See table (with all seals properly mounted)
Weight	See table
Ambient temperature	-20 + 50°C (-4/+122 °F)
Inlet voltage	±10% tol.
Contamination class to ISO 4406:	See technical spec.
MTF <sub>d</sub> :	150 - 1200 years: See technical spec.

For other configurations/quick codes not available in this catalogue page please consult factory

DIN 43650 - ISO 4400

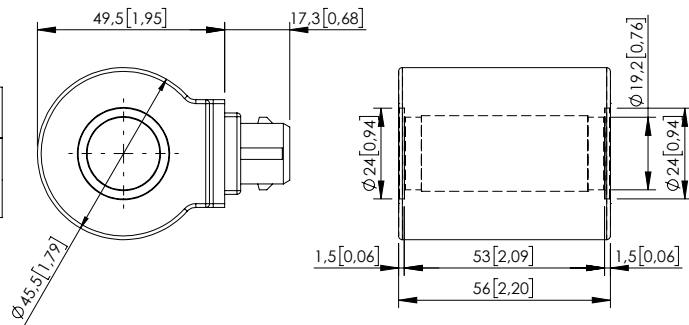
Code parts	Description	Voltage	Resistance (±7%)	Power (W)	Current (A)	Insul. class	Weight
AB000137	M15 HS 12V Class H	12 DC	6,26	23	1,92	IP65	0,361 kg (0,79 lbs)
AB000138	M15 HS 24V Class H	24 DC	25,05	23	0,96		
AB000129	M15 HS 8V Class H	8 DC	2,78	23	2,88		



Dimensions: mm [inches]

AMP JUNIOR

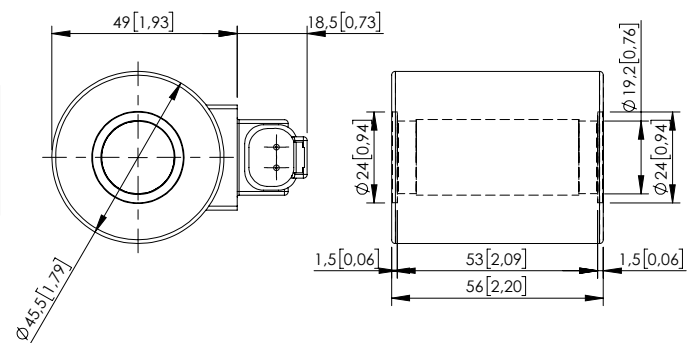
Code parts	Description	Voltage	Resistance (±7%)	Power (W)	Current (A)	Insul. class	Weight
AB000139	M15 AJ 12V Class H	12 DC	6,26	23	1,92	IP67	0,329 kg (0,73 lbs)
AB000140	M15 AJ 24V Class H	24 DC	25,05	23	0,96		



Dimensions: mm [inches]

DEUTSCH DT04-2P-V

Code parts	Description	Voltage	Resistance (±7%)	Power (W)	Current (A)	Insul. class	Weight
AB000141	M15 DTV 12V Class H	12 DC	6,26	23	1,92	IP69	0,329 kg (0,73 lbs)
AB000142	M15 DTV 24V Class H	24 DC	25,05	23	0,96		



Dimensions: mm [inches]  
Revision B1