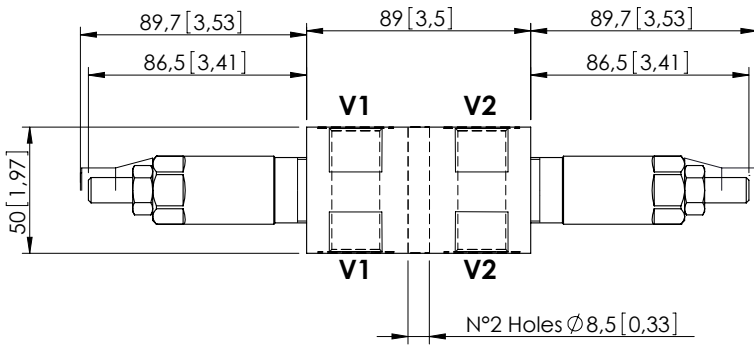
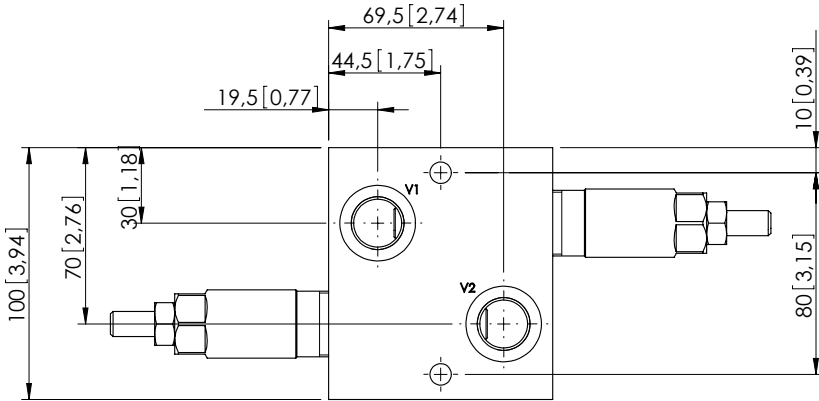
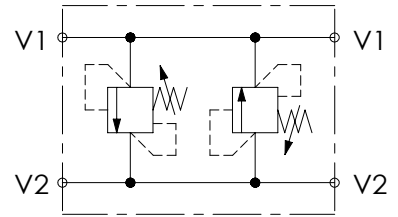


MADN-080-TLNR

DOUBLE ANTISHOCK



Dimensions: mm [inches]

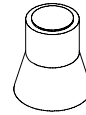


SPECIFICATIONS

Max. operating pressure:	350 bar (5000 psi)
Rated flow:	80 l/min (21 gpm)
Manifold:	Aluminium
Weight:	1,62 kg (3,57 lbs)
Contamination class to ISO 4406:	See technical spec.
MTTFa:	150 years

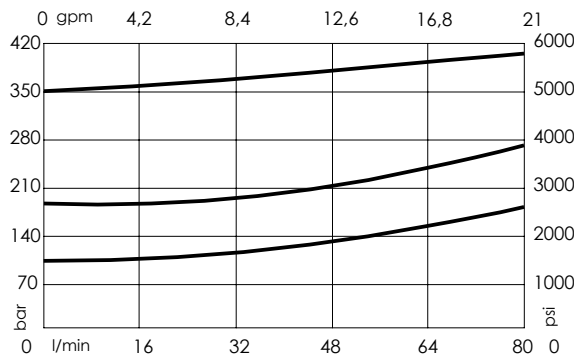
NOTES

SEALING CAP



Ordering code:
AT000021

CURVES



ORDERING CODES

Quick code	Description	Main ports size	Standard setting Q=5 l/min (1,3 gpm)	Adjustment range	Pressure increase
MA000026	MADN-080-TLNR-HN-G12-N350	V1,V2 : G 1/2"	350 bar (5000 psi)	100-350 bar (1400-5000 psi)	42 bar/turn (600 psi/turn)
MA000025	MADN-080-TLNR-HN-G12-N200	V1,V2 : G 1/2"	200 bar (2900 psi)	60-210 bar (850-3000 psi)	24 bar/turn (350 psi/turn)
MA000021	MADN-080-TLNR-HN-G12-N100	V1,V2 : G 1/2"	100 bar (1400 psi)	25-100 bar (350-1400 psi)	13 bar/turn (200 psi/turn)