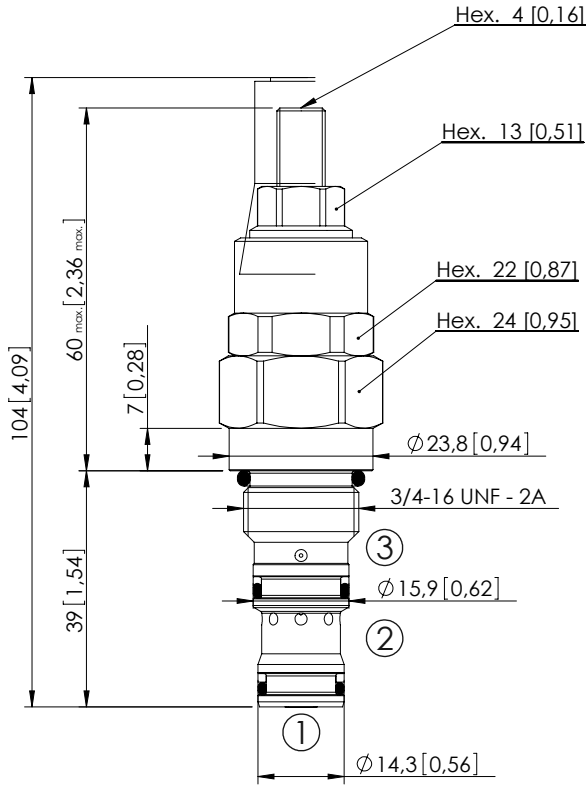
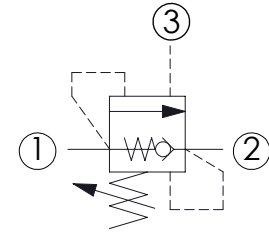


CBSN-030-PARH

POPPET TYPE



Dimensions: mm [inches]



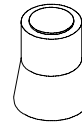
SPECIFICATIONS

Max. operating pressure:	350 bar (5000 psi)
Rated flow:	30 l/min (8 gpm)
Cavity:	SAE-08-3C
Weight:	0,18 kg (0,4 lbs)
Installation torque:	45 - 50 Nm (33 - 37 ft-lb)
Seal kit:	RA700086
Contamination class to ISO 4406:	See technical spec.
MTFd:	150 years

NOTES

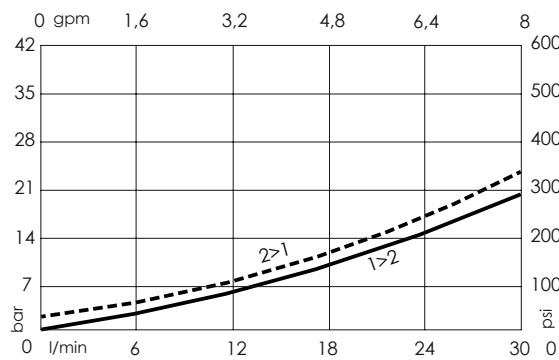
Setting: at least 1.3 times the load induced pressure.

SEALING CAP



Ordering code:
AT000020

CURVES



ORDERING CODES

Quick code	Description	Pilot ratio	Standard setting Q=5 l/min (1,3 gpm)	Adjustment range	Pressure increase
CB000007	CBSN-030-PARH-04-S08-N350	4:1	350 bar (5000 psi)	170-350 bar (2400-5000 psi)	134 bar/turn (1900 psi/turn)
CB000023	CBSN-030-PARH-04-S08-N200	4:1	200 bar (2900 psi)	70-210 bar (1000-3000 psi)	110 bar/turn (1600 psi/turn)