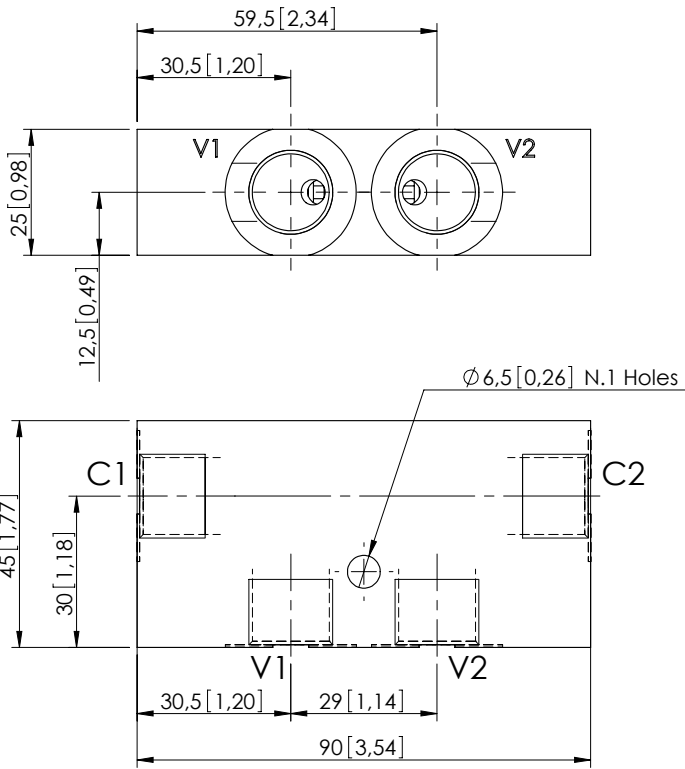


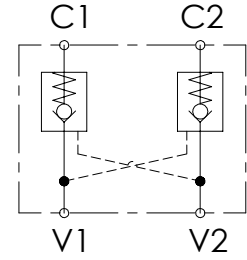
PILOT OPERATED CHECK VALVE

# MCDN-020-SLAS

DOUBLE ACTING



Dimensions: mm [inches]

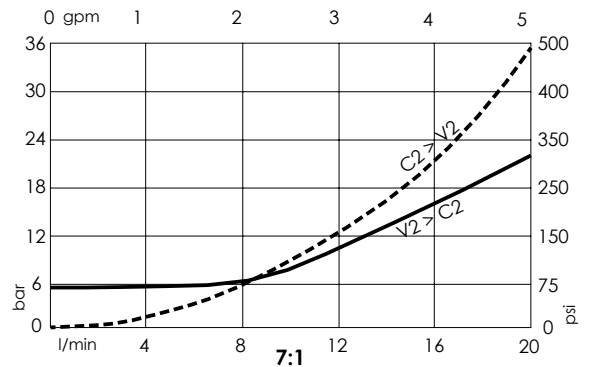
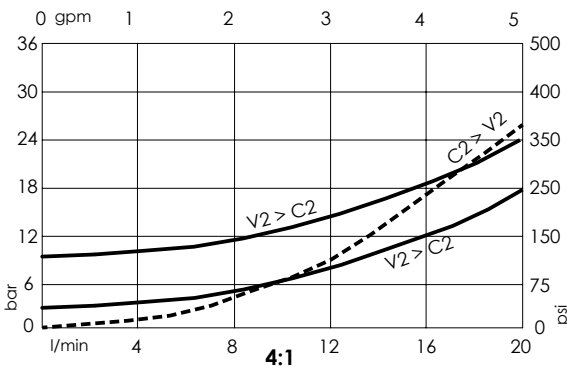


## SPECIFICATIONS

Max. operating pressure:	350 bar (5000 psi)
Rated flow:	20 l/min (5 gpm)
Manifold:	Steel
Weight:	0,67 kg (1,48 lbs)
Contamination class to ISO 4406:	See technical spec.
MTTFa:	150 years

## NOTES

## CURVES



## ORDERING CODES

Quick code	Description	Main ports size	Pilot ratio	Cracking pressure	O-ring on pilot piston
MC000174	MCDN-020-SLAS-04-G38-N003	V1,V2,C1,C2 : G 3/8"	4:1	3 bar (50 psi)	NO
MC000213	MCDN-020-SLAS-04-G38-N009	V1,V2,C1,C2 : G 3/8"	4:1	9 bar (125 psi)	NO
MC000212	MCDN-020-SLAS-07-G38-N005	V1,V2,C1,C2 : G 3/8"	7:1	5 bar (75 psi)	NO