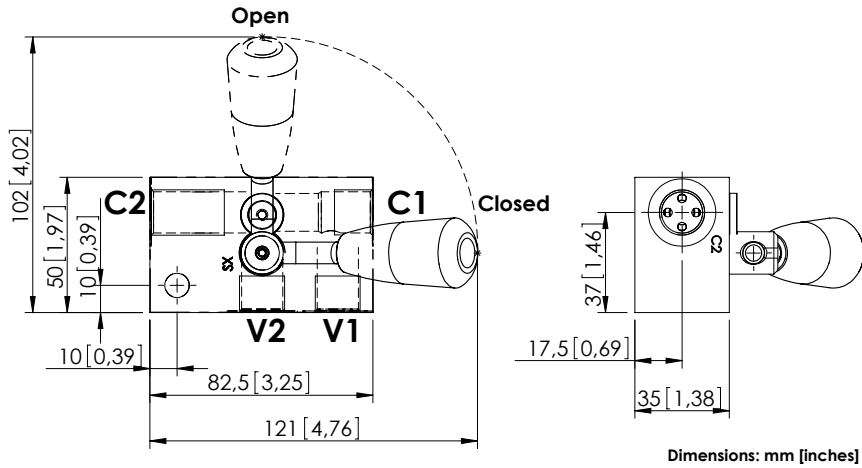
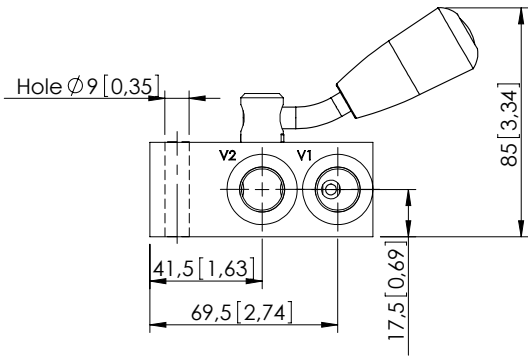


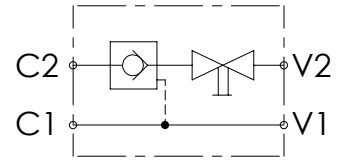
PILOT OPERATED CHECK VALVE

# MCSN-020-TLLC

SINGLE ACTING  
MANUAL SHUT OFF  
LEFT VERSION



Dimensions: mm [inches]

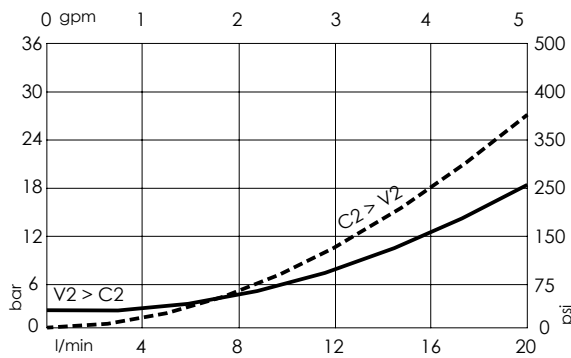


### SPECIFICATIONS

Max. operating pressure:	350 bar (5000 psi)
Rated flow:	20 l/min (5 gpm)
Manifold:	Aluminium
Weight:	0,45 kg (0,99 lbs)
Contamination class to ISO 4406:	See technical spec.
MTTFa:	150 years

### NOTES

### CURVES



### ORDERING CODES

Quick code	Description	Main ports size	Pilot ratio	Cracking pressure	O-ring on pilot piston
MC000062	MCSN-020-TLLC-05-G38-N002	V1,V2,C1,C2 : G 3/8"	5:1	2 bar (25 psi)	YES