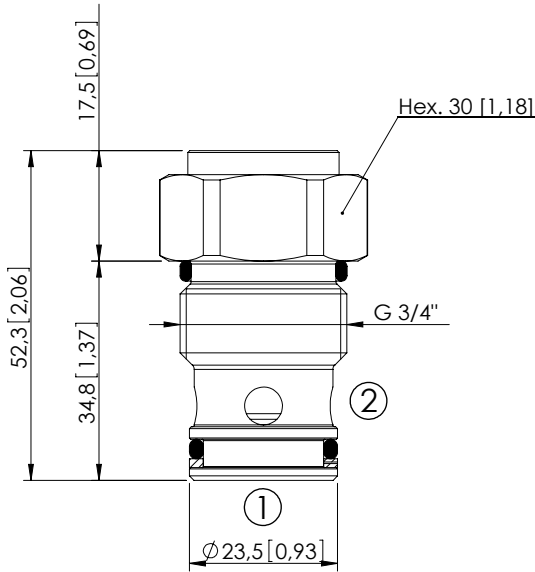


CHECK VALVE

**CDVN-060-PSNR**

POPPET TYPE



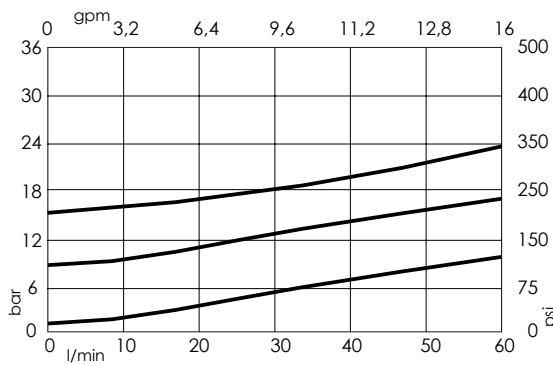
**SPECIFICATIONS**

Max. operating pressure:	350 bar (5000 psi)
Rated flow:	60 l/min (16 gpm)
Cavity:	VP000006
Weight:	0,18 kg (0,4 lbs)
Contamination class to ISO 4406:	See technical spec.
Seal kit:	RC700006
Installation torque:	100 - 130 Nm (74 - 96 ft-lb)
MTF <sub>d</sub> :	150 years

Dimensions: mm [inches]

**NOTES**

**CURVES**



**ORDERING CODES**

Quick code	Description	Cracking pressure
CD000019	CDVN-060-PSNR-FN-006-N001	1 bar (15 psi)
CD000020	CDVN-060-PSNR-FN-006-N009	9 bar (125 psi)
CD000075	CDVN-060-PSNR-FN-006-N015	15 bar (200 psi)