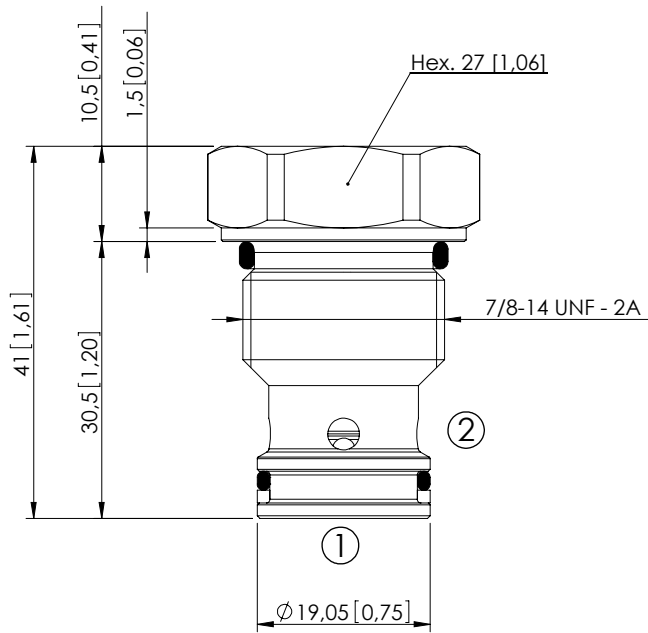


CHECK VALVE

**CDVN-030-PSNR**

POPPET TYPE



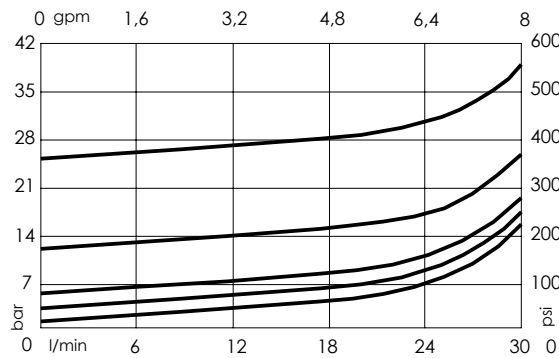
**SPECIFICATIONS**

Max. operating pressure:	420 bar (6000 psi)
Rated flow:	30 l/min (8 gpm)
Cavity:	VP000015
Weight:	0,11 kg (0,24 lbs)
Contamination class to ISO 4406:	See technical spec.
Seal kit:	RC700015
Installation torque:	76 - 85 Nm (56 - 63 ft-lb)
MTF <sub>d</sub> :	150 years

Dimensions: mm [inches]

**NOTES**

**CURVES**



**ORDERING CODES**

Quick code	Description	Cracking pressure	Hardened seat
CD000054	CDVN-030-PSNR-HN-015-N001	1 bar (15 psi)	NO
CD000302	CDVN-030-PANR-HN-015-N001	1 bar (15 psi)	YES
CD000195	CDVN-030-PSNR-HN-015-N003	3 bar (50 psi)	NO
CD000303	CDVN-030-PANR-HN-015-N003	3 bar (50 psi)	YES
CD000055	CDVN-030-PSNR-HN-015-N005	5 bar (75 psi)	NO
CD000304	CDVN-030-PANR-HN-015-N005	5 bar (75 psi)	YES
CD000056	CDVN-030-PSNR-HN-015-N009	9 bar (125 psi)	NO
CD000132	CDVN-030-PANR-HN-015-N009	9 bar (125 psi)	YES
CD000057	CDVN-030-PSNR-HN-015-N025	25 bar (350 psi)	NO
CD000063	CDVN-030-PANR-HN-015-N025	25 bar (350 psi)	YES