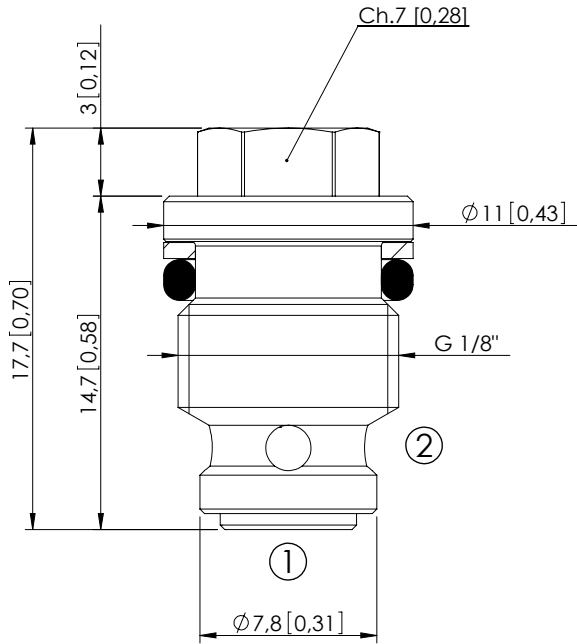


CHECK VALVE

CDVN-010-SSNS

SPHERE TYPE



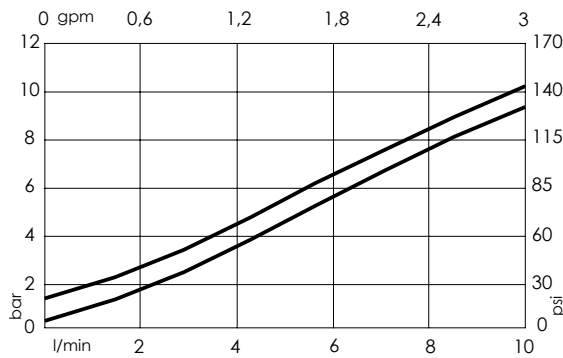
SPECIFICATIONS

Max. operating pressure:	350 bar (5000 psi)
Rated flow:	10 l/min (3 gpm)
Cavity:	VP000216
Weight:	0,01 kg (0,02 lbs)
Contamination class to ISO 4406:	See technical spec.
Seal kit:	RC700216
Installation torque:	6,5 - 7 Nm (5 - 6 ft-lb)
MTF _d :	150 years

Dimensions: mm [inches]

NOTES

CURVES



ORDERING CODES

Quick code	Description	Cracking pressure	
CD000094	CDVN-010-SSNS-HN-216-N001	1,2 bar (20 psi)	
CD000134	CDVN-010-SSNS-HN-216-N000	0,3 bar (5 psi)	