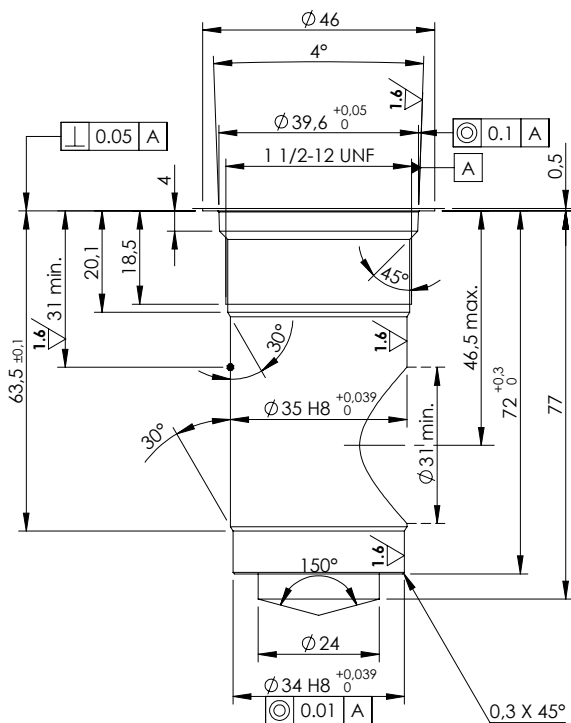
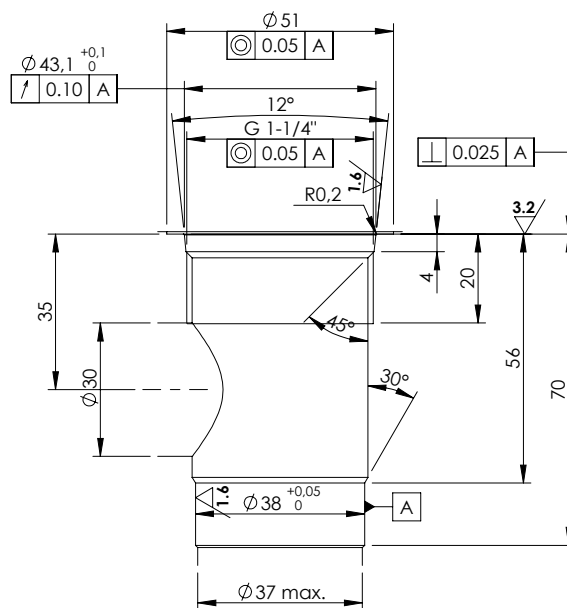


# SPECIAL CAVITIES

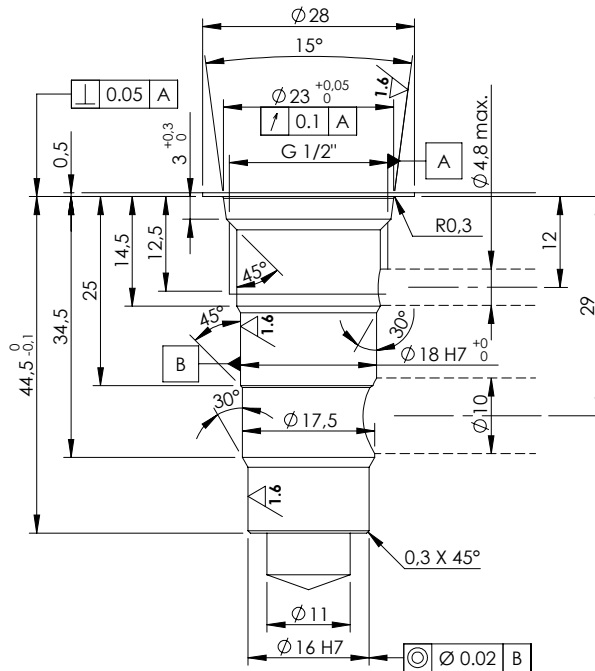
VP000178



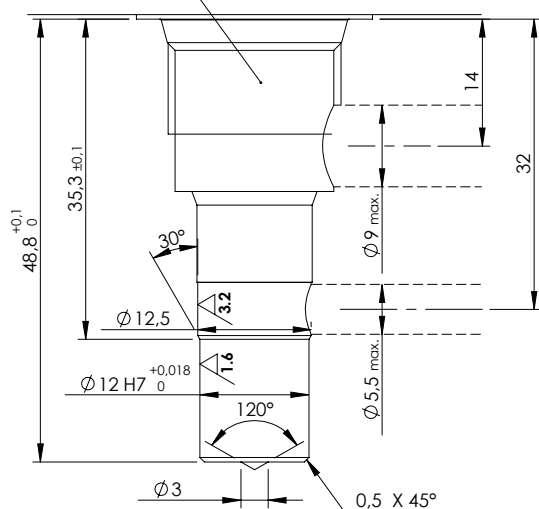
VP000180



VP000198



Cavity SAE-08-2N VP000193



General Tolerances:  $\phi 0.03$   
 $\perp 0.02$