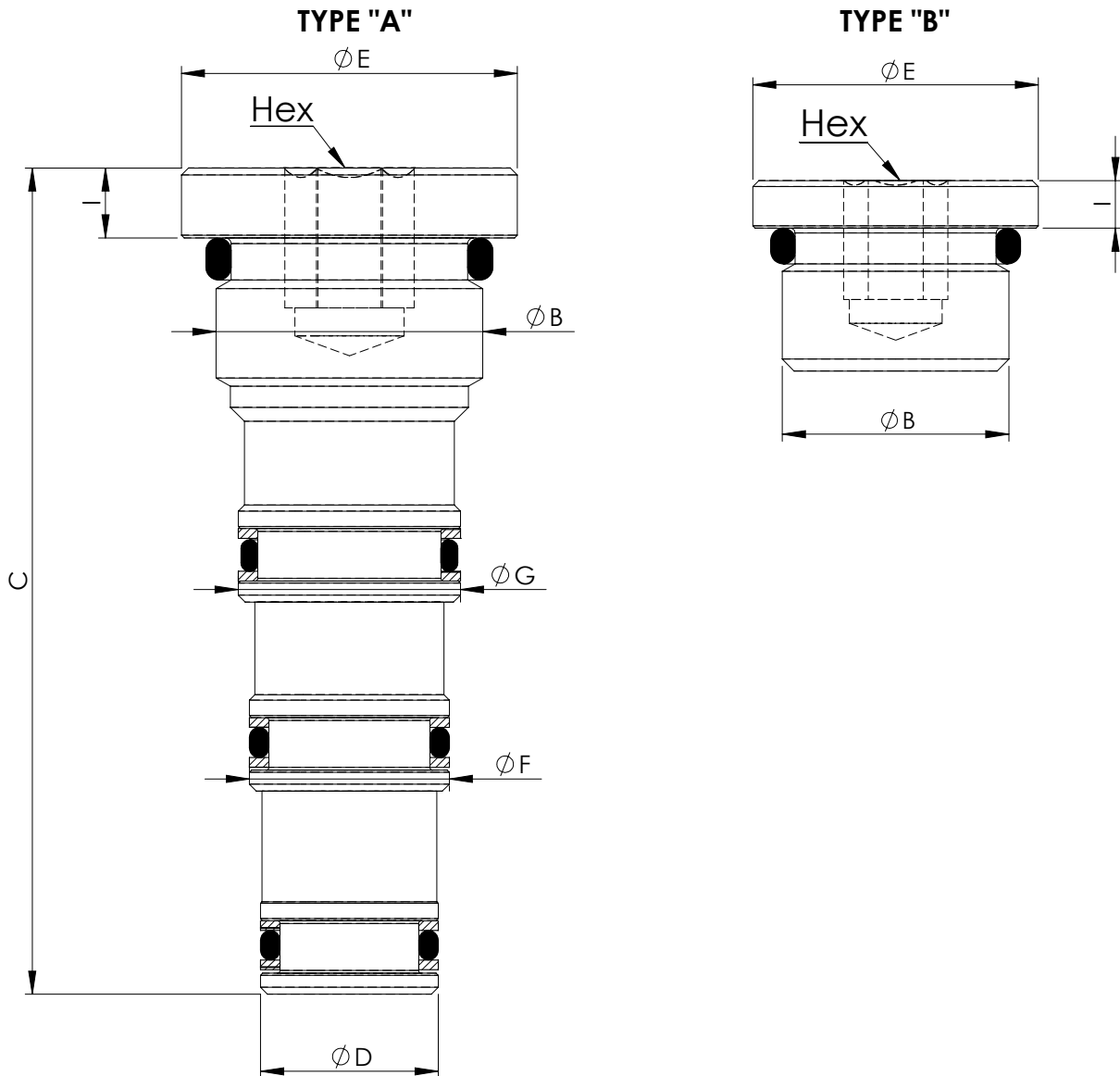


STANDARD PLUG



SAE-XXX-4N



CAVITY A	DIMENSION (mm)								CODE Type " A "	TORQUE (Nm)	CODE Type " B "	TORQUE (Nm)
	B (UNF-2B)	C	D	E	F	G	Hex	I				
SAE-08-4N	3/4-16	59	12,7	24	14,28	15,87	8	5	ST000335	45-50	ST000331	45-50
SAE-10-4N	7/8-14	68,6	15,87	27	17,47	19,05	10	6	ST000336	50-55	ST000333	50-55
SAE-12-4N	1 1/16-12			32			13	6			ST000208	100-110
SAE-16-4N	1 5/16-12			38			15	6			ST000396	170-190
SAE-20-4N	1 5/8-12			46			17	6			ST000397	280-320