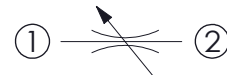
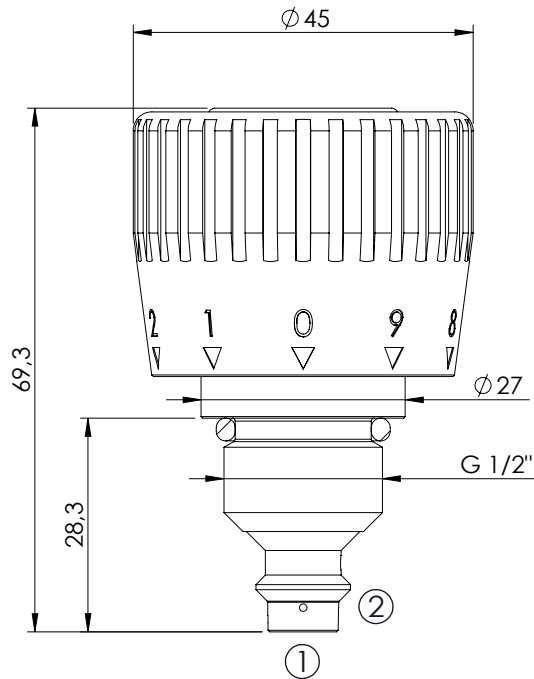
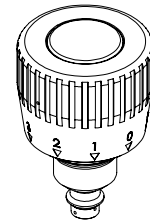


ACCESSORIES

CFSN-090-BPSR

**FLOW REGULATOR
SPARE PART**

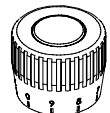


SPECIFICATIONS

Max. operating pressure:	350 bar
Rated flow:	90 l/min
Cavity:	VP000132
Weight:	0,26 kg
Installation torque:	90-100 Nm
Seal kit:	RC700132

ADJUSTMENT OPTIONS

Graduated handknob for flow regulation under pressure



NOTE

Components we be supplied partially disassembled.
Contact AFT sales network for assembling instruction

ORDERING CODES

Quick code	Description	Flow range adjustment (l/min)	Adjustment option
CF000237	CFSN-090-BPSR-06-132-N350	0 - 6	Graduated handknob
CF000238	CFSN-090-BPSR-12-132-N350	0 - 12	Graduated handknob
CF000239	CFSN-090-BPSR-25-132-N350	0 - 25	Graduated handknob
CF000240	CFSN-090-BPSR-32-132-N350	0 - 32	Graduated handknob
CF000392	CFSN-090-BPSR-50-132-N350	0 - 50	Graduated handknob
CF000242	CFSN-090-BPSR-63-132-N350	0 - 63	Graduated handknob
CF000243	CFSN-090-BPSR-70-132-N350	0 - 70	Graduated handknob
CF000244	CFSN-090-BPSR-80-132-N350	0 - 80	Graduated handknob