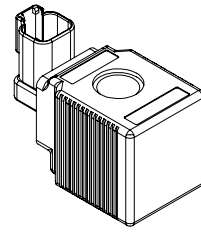
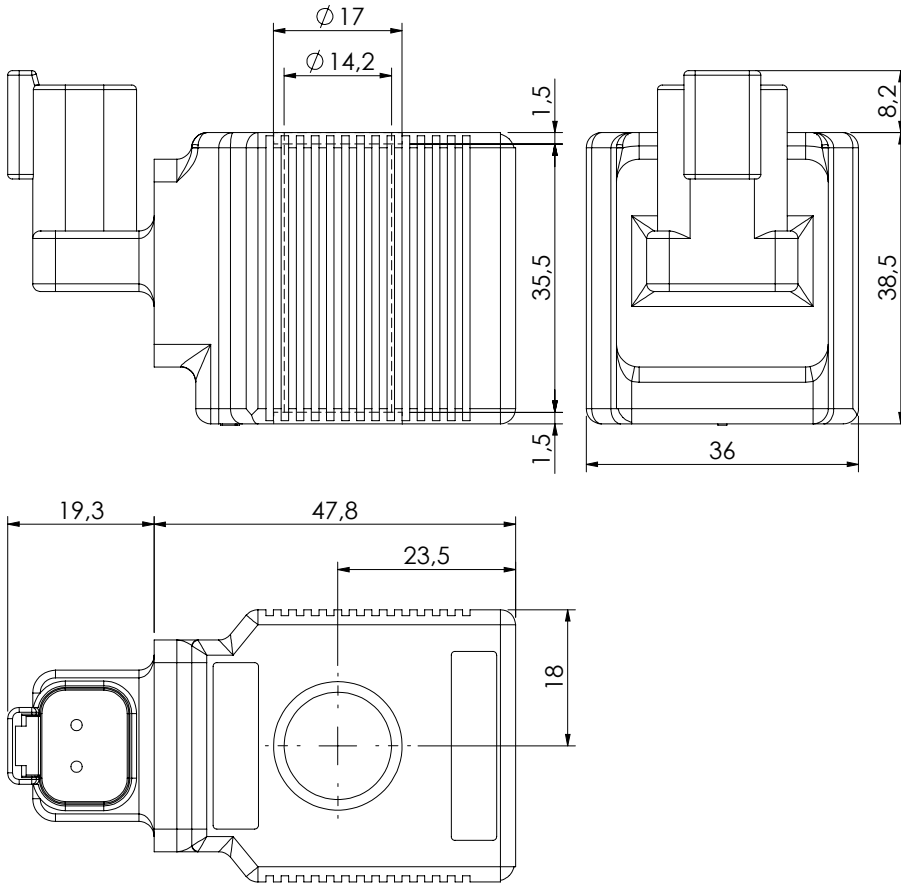


COIL

**COIL SERIES M14**

DEUTSCH DT04-2P-V  
CLASS H



**SPECIFICATIONS**

Heat insulation class H	180°C
Ambient temperature	-30 + 60°C
Inlet voltage	±10% tol.
Insulation class IP69K with all seals properly mounted	
Weight:	0,18 kg

**NOTES**

With bi-directional diode

**ORDERING CODES**

Quick code	Description	Connector type	Voltage (V)	Resistance (Ω) ±7%	Power (w)	Current (A)
AB000132	Coil M14 DTV 12V CLASS H	DT04-2P-V	12 DC	5,53	26	2,17
AB000133	Coil M14 DTV 24V CLASS H	DT04-2P-V	24 DC	22,15	26	1,08
AB000211	Coil M14 DTV 26V CLASS H	DT04-2P-V	26 DC	26	26	1