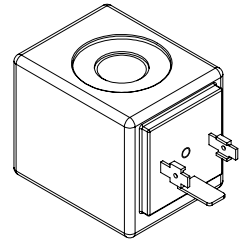
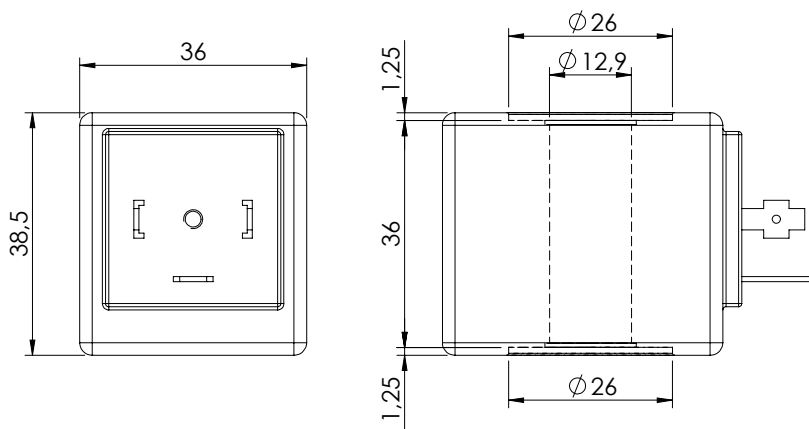
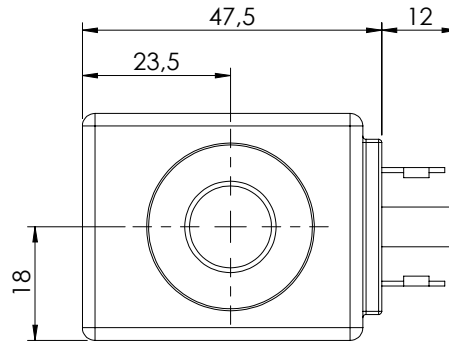


COIL

COIL SERIES M7

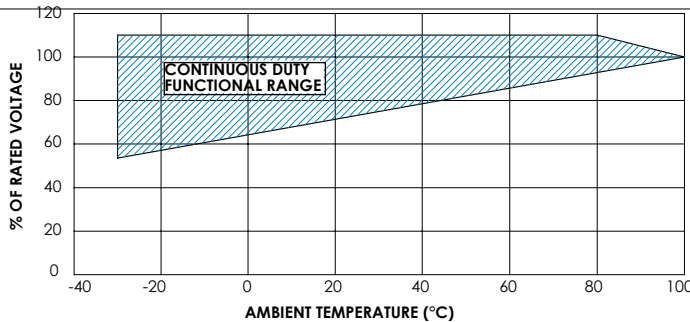
DIN 43650 - ISO 4400
RAC CLASS H



SPECIFICATIONS

Heat insulation class H	180°C
Ambient temperature	-30 + 60°C
Inlet voltage	±10% tol.
Insulation class IP69K with all seals properly mounted	
Weight:	0,18 kg

ED 100% in the functional range area.
Do not exceed the functional range.



NOTES: Applications with working range close to graph limit please contact AFI sales network.

The seals supplied with the valve must be properly mounted.

Please refer to catalogue technical chapter for more info.

ORDERING CODES

Quick code	Description	Connector type	Voltage (V)	Resistance (Ω) ±7%	Power (w)	Current (A)
AB000011	Coil M7 HS 12V CLASS H	DIN 43650-ISO 4400	24 RAC	23,1	20	0,9
AB000012	Coil M7 HS 110V RAC Class H	DIN 43650-ISO 4400	110 RAC	605	20	0,18
AB000007	Coil M7 HS 220V RAC Class H	DIN 43650-ISO 4400	220 RAC	2140	20	0,09