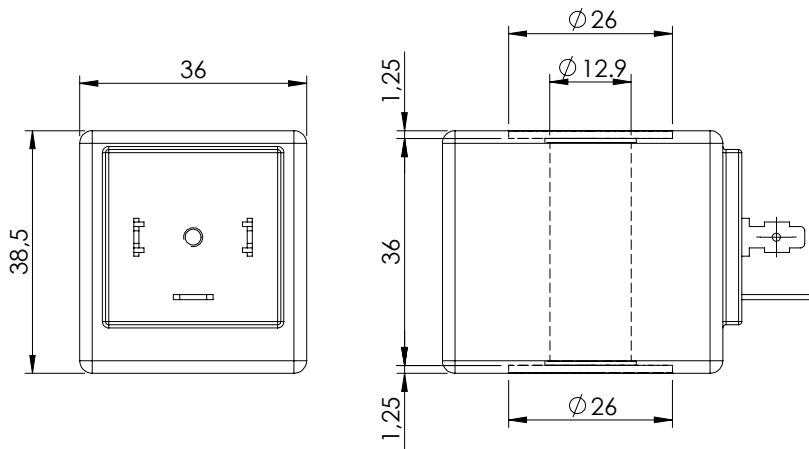
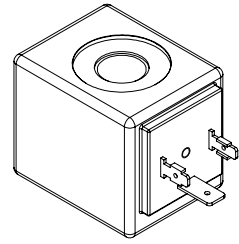
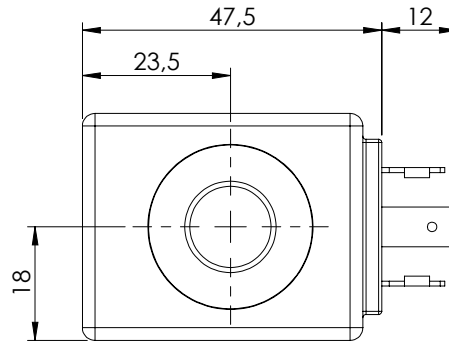


COIL

# COIL SERIES M7

DIN 43650 - ISO 4400  
CLASS H



## SPECIFICATIONS

Heat insulation:	Class H (180°C)
Ambient temperature:	See graph
Inlet voltage:	See graph
Insulation class:	IP65 with all seals properly mounted
Weight:	0,217 kg

## NOTES

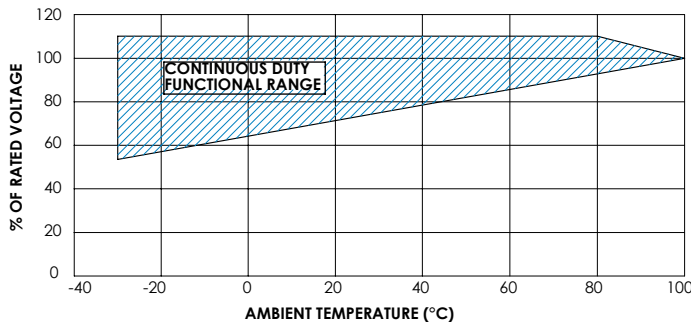
ED 100% in the functional range area.

Do not exceed the functional range.

For applications with working range close to graph limit please contact AFT sales network.

The seals supplied with the valve must be properly mounted.

Please refer to catalogue technical chapter for more info.



## ORDERING CODES

Quick code	Description	Connection type	Voltage (V)	Resistance ( $\Omega$ ) $\pm 7\%$	Power (w)	Current (A)
AB000002	Coil M7 HS 12V CLASS H	DIN 43650-ISO 4400	12 DC	7,2	20	1,67
AB000018	Coil M7 HS 14V CLASS H	DIN 43650-ISO 4400	14 DC	9,8	20	1,43
AB000003	Coil M7 HS 24V CLASS H	DIN 43650-ISO 4400	24 DC	28,8	20	0,83
AB000004	Coil M7 HS 26V CLASS H	DIN 43650-ISO 4400	26 DC	33,8	20	0,77
AB000043	Coil M7 HS 10.5V CLASS H	DIN 43650-ISO 4400	10.5 DC	5,5	20	1,90
AB000046	Coil M7 HS 48V CLASS H	DIN 43650-ISO 4400	48 DC	115,2	20	0,42