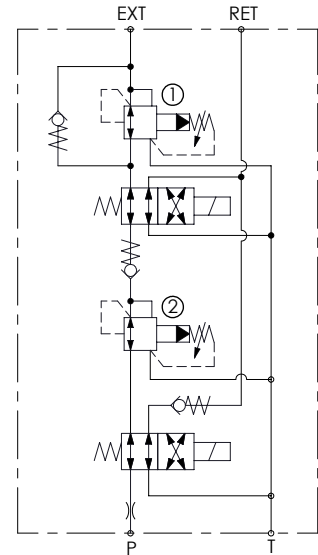
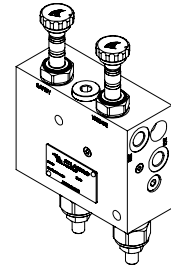
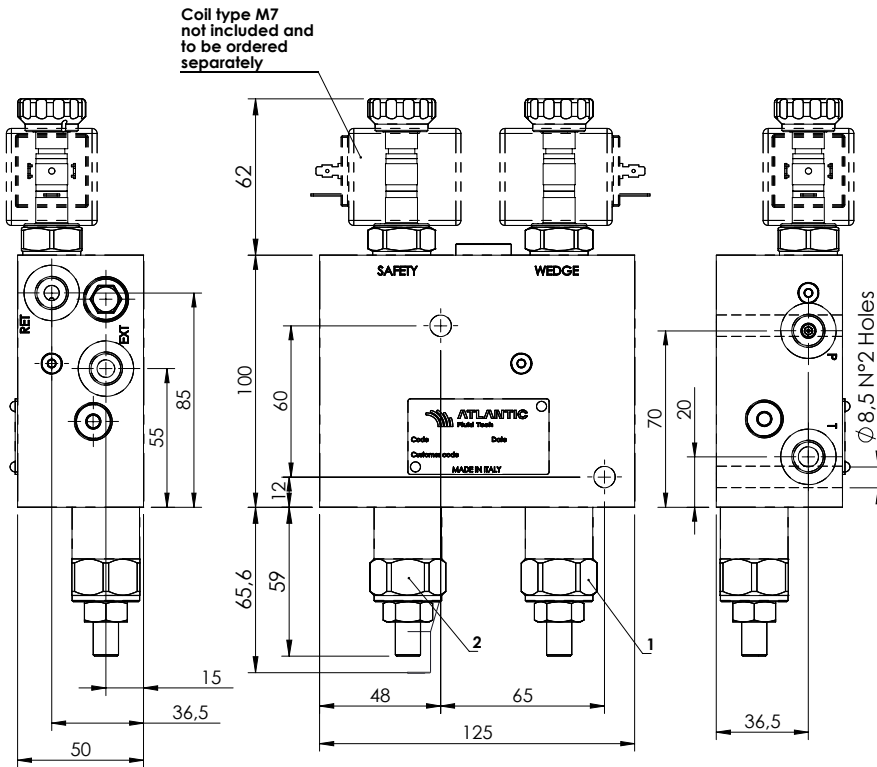


EXCAVATORS VALVE

BNND-010-AERV

AUXILIARY QUICK HITCH

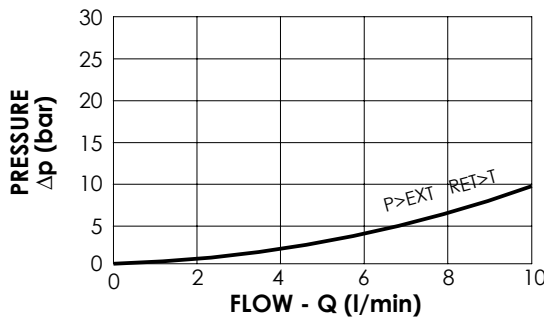
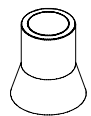


SPECIFICATIONS

Max. operating pressure:	350 bar
Rated flow:	10 l/min
Manifold:	Steel
Weight:	4,9 kg
Coil Type:	M7

SEALING CAP

Ordering code:
AT000022



ORDERING CODES

Quick code	Description	Main ports size	Standard setting (bar, Q=5 l/min)	Adjustm. range (bar)	Pressure increase (bar/turn)
BD000207	BNND-010-AERV-NP-G14-N350	P,T,A,B M: G 1/4"	① :120 ② :240	70 - 350	114