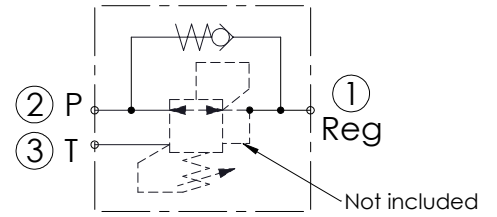
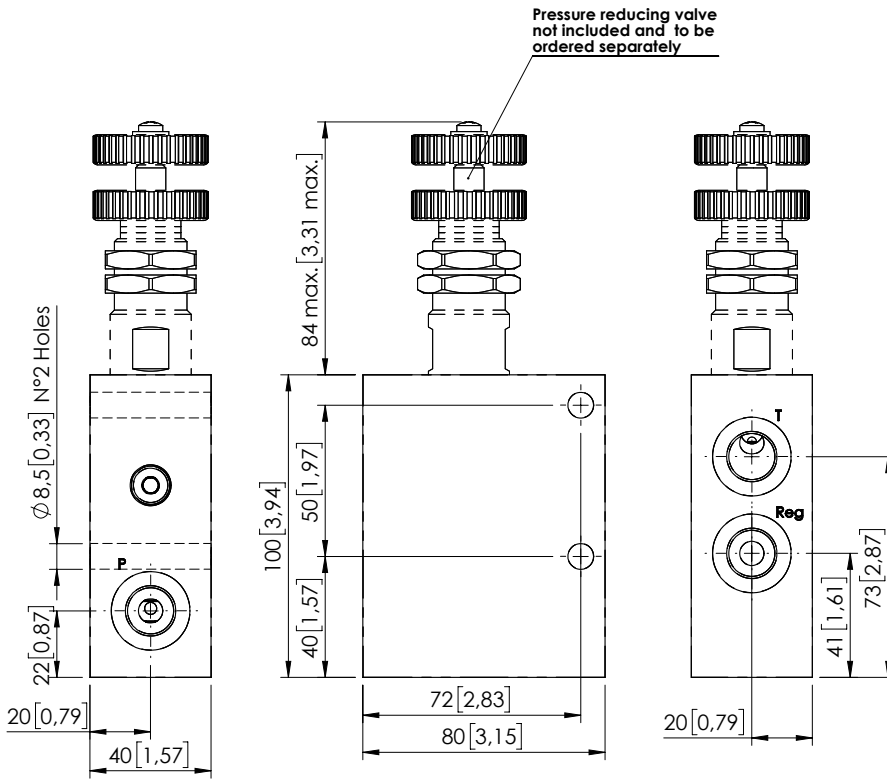


KPRL-030-DNSR

DIRECT ACTING
WITH CHECK VALVE



SPECIFICATIONS

Max. operating pressure:	210 bar (3000 psi)
Rated flow:	30 l/min (8 gpm)
Cavity:	SAE-10-3N
Weight:	0,8 kg (1,76 lbs)
Manifold:	Aluminium
Contamination class to ISO 4406:	See technical spec.
MTF _d :	150 years

NOTES

See pages 2.01.030 or 2.01.040 for pressure reducing valve info.

CURVES

ORDERING CODES

Quick code	Description	Ports
KR000043	KPRL-030-DNSR-HN-G38-N210	P,T,REG: G 3/8"