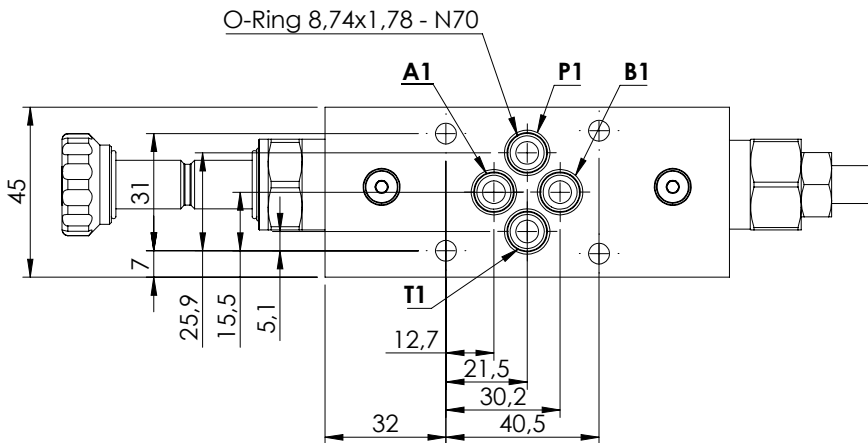


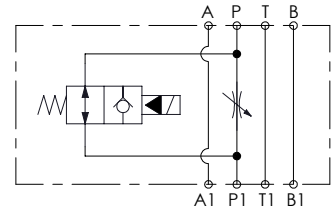
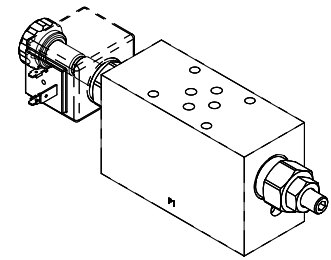
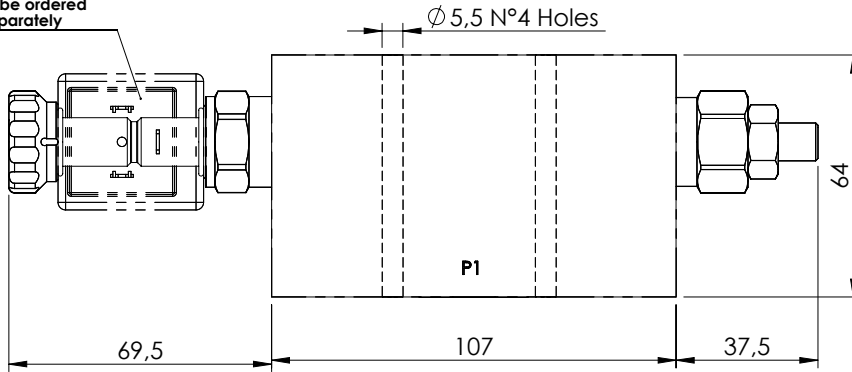
MODULAR VALVE FOR CETOP

BNFN-040-NT

CETOP 3

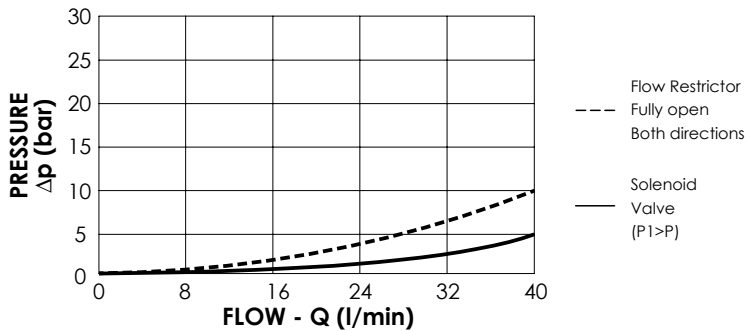


Coil type M7
not included and
to be ordered
separately



SPECIFICATIONS

Max. operating pressure:	210 bar
Rated flow:	40 l/min
Manifold:	Aluminium
Weight:	1 kg
Coil type:	M7



NOTES

ORDERING CODES

Quick code	Description	Main ports size	
BF000004	BNFN-040-NT-N06-N210	A,B,P,T: CETOP 3	