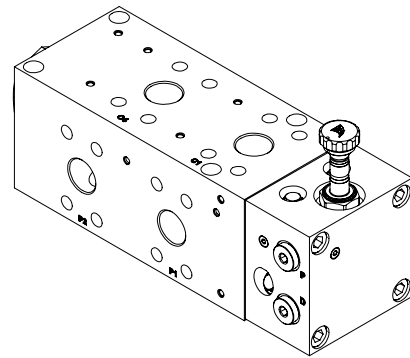
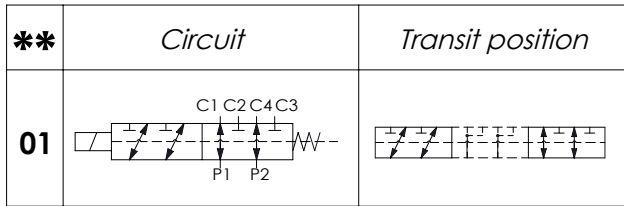


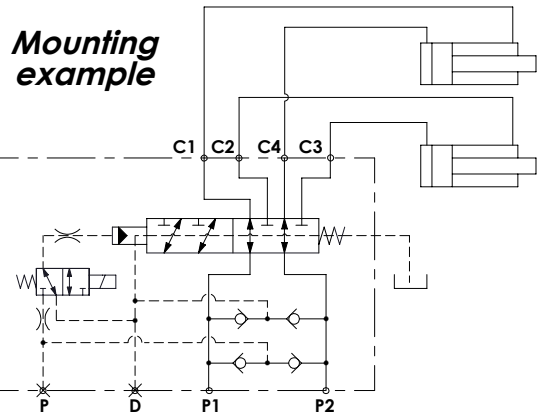
FLOW DIVERTERS

ELFB-400

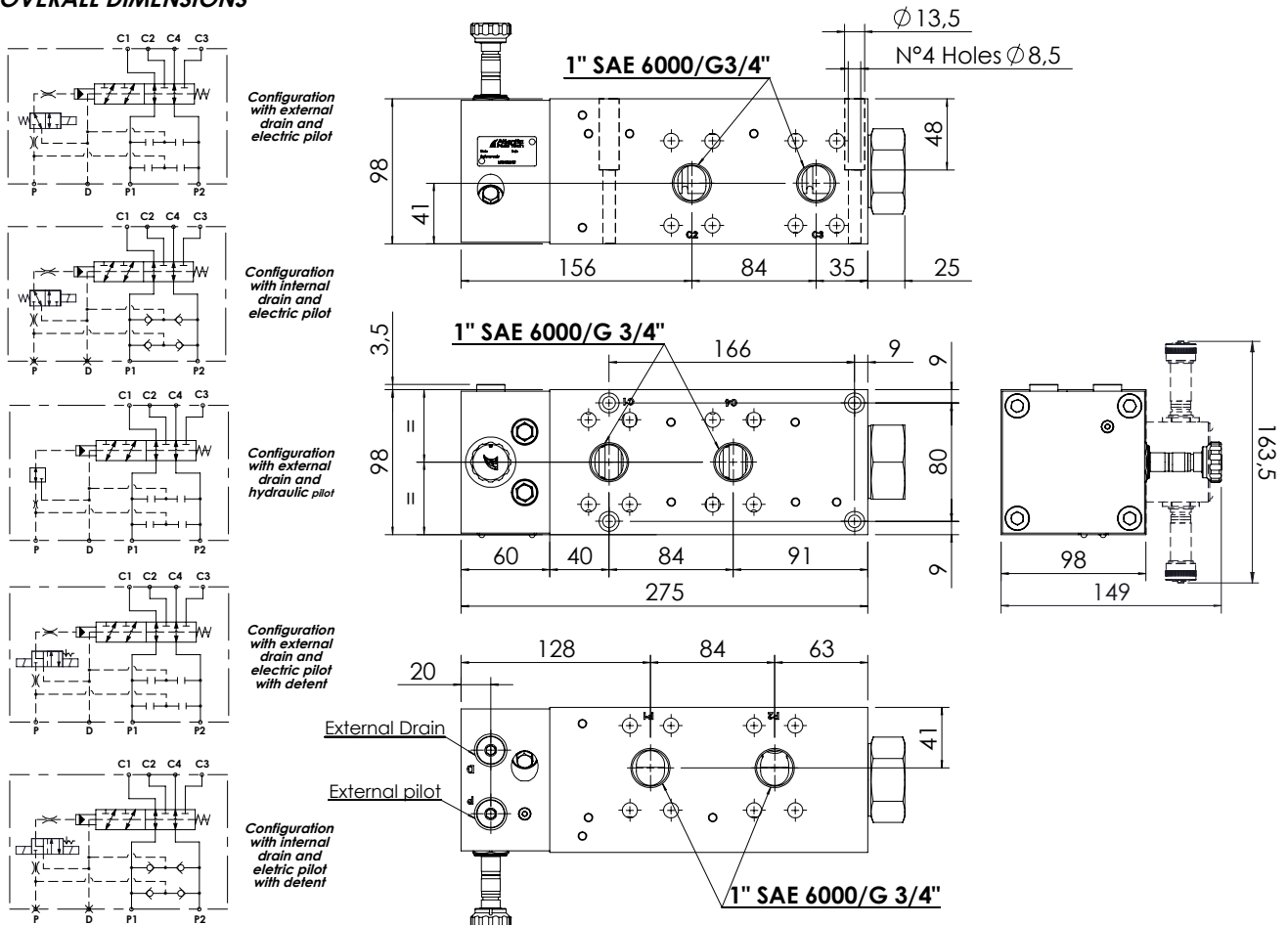
6 WAYS SINGLE IN LINE
FLOW DIVERTERS



Technical data			
Rated flow		l/min	400
Operating pressure	with internal drain "N"	bar	210
	with external drain "E"	bar	420
Minimum pilot pressure		bar	20
Valve weight		Kg	17,2
Standard Ports	1" SAE 6000		



OVERALL DIMENSIONS

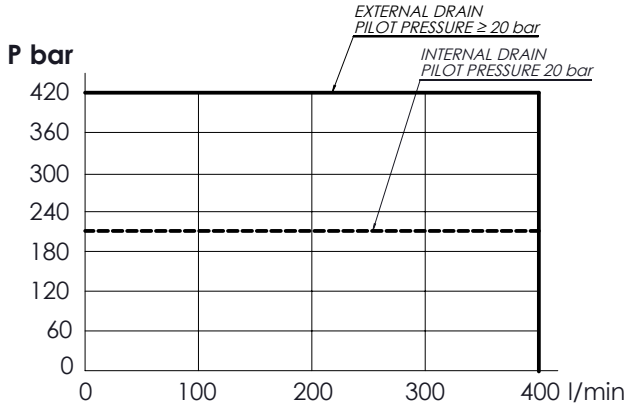


Characteristic curves

With pressure and flow in P1 or P2 and C4 and C1 without pressure

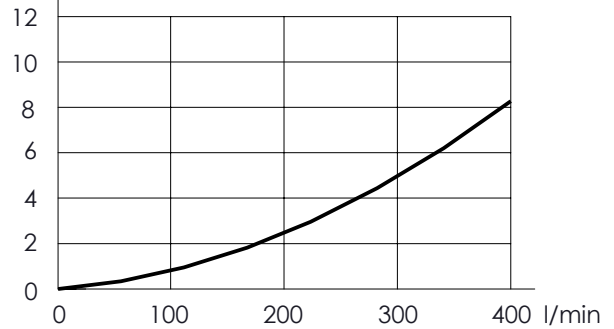


Maximum performance



Δp bar

Pressure drop



* OPERATED	Circuit
H Hydraulic 	
E Electric 	
D Electric with detent 	

Max. pilot pressure with external drain: 250 bar

* DRAIN	Circuit
N Internal	
E External	

* COIL	Type	Protection class
-	Without coil	
HR DIN 43650 - ISO 4400 Class H	M7	IP65
AJ AMP JUNIOR Class H	M7	IP65
DT DEUTSCH DT04-2P-L Class H	M7	IP69

PORTS		
***	Main (C)	Drain (D) Pilot (P)
S10 G34	1" SAE 6000 G3/4"	1/4" Gas

Special port sizes available

CIRCUIT

V - Seals in VITON

ELFB - 400 - * S F * - 01 - * - * ** ***

* Voltage (V)	Resistance (Ω) $\pm 7\%$	Power (W)	Current (A)
-	Without coil		
A 12 DC	7,2	20	1,67
B 24 DC	28,7	20	0,84

Special voltages available on request

KIT	Type	Ordering code
HP	Hydraulic pilot	RG100032
EP	Electrical pilot	CE000824
ID	Internal drain	RG100033
ED	External drain	RG100034

