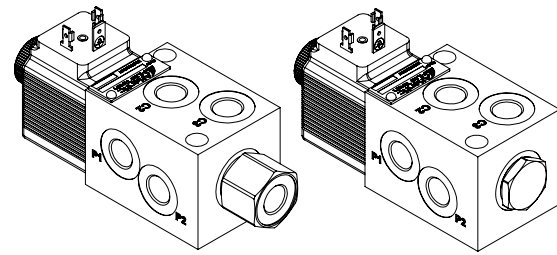
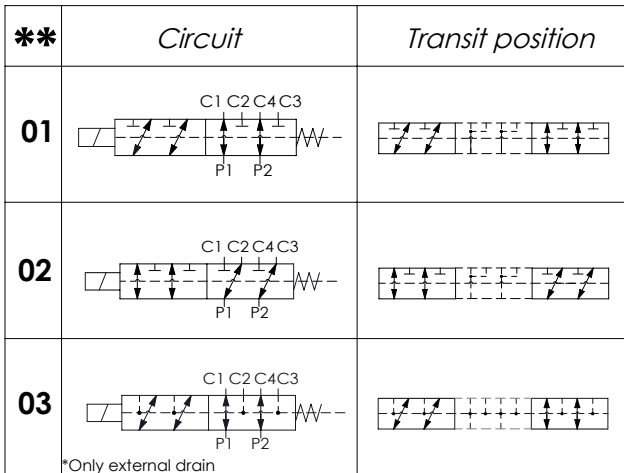


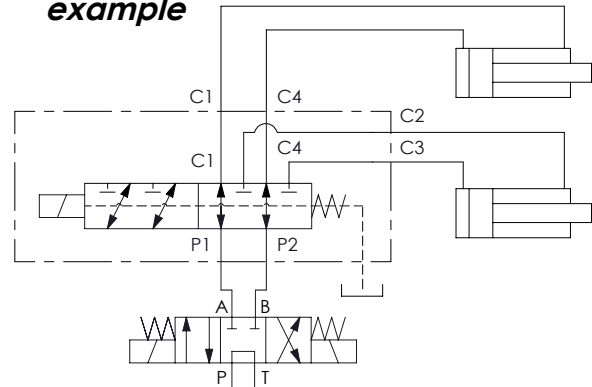
FLOW DIVERTERS

ELFB-025

**6 WAYS SINGLE IN LINE
FLOW DIVERTERS**

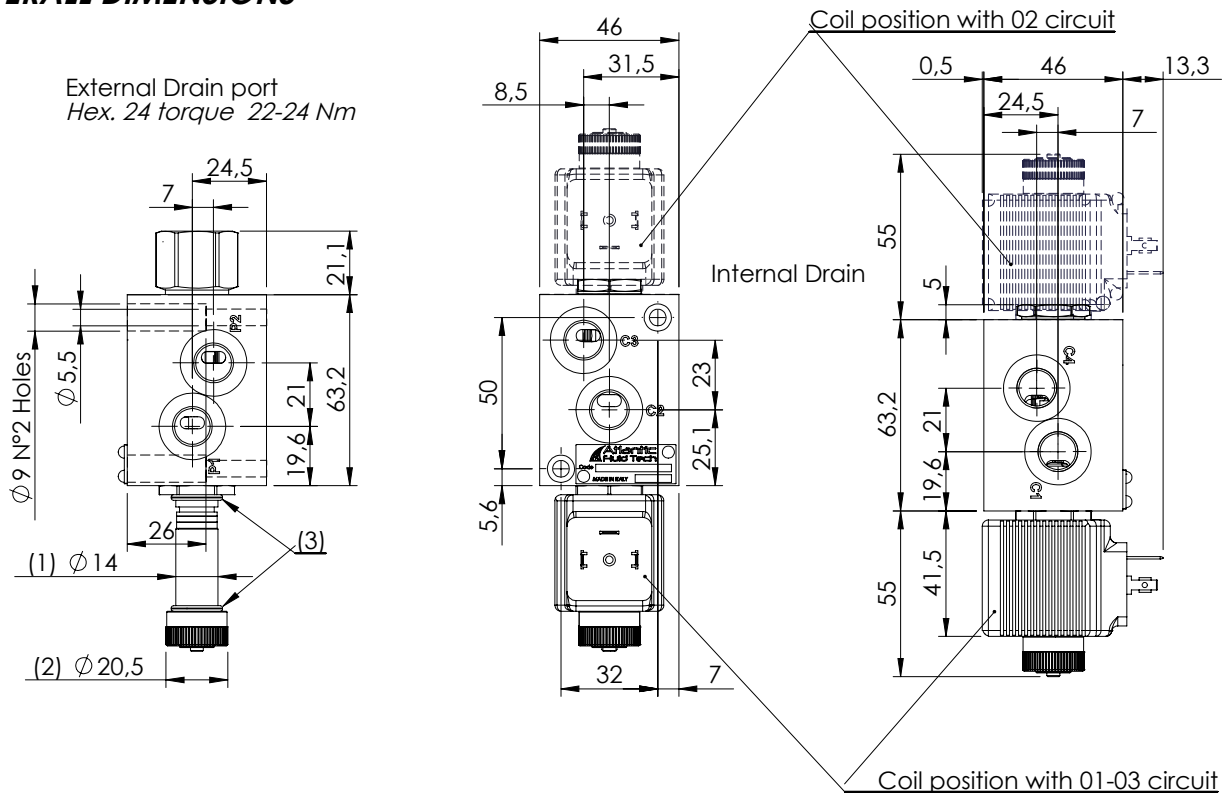


Mounting example



Technical data			
Rated flow		l/min	25
Operating pressure	with internal drain "N"	bar	250
	with external drain "E"	bar	310
Valve weight		Kg	1,1

OVERALL DIMENSIONS



- (1) Solenoid tube hex.17 - Torque 22-24 Nm
- (2) Ring nut for coil locking - Torque 5-6 Nm
- (3) O-Ring Ø 14,00 x 1,78

