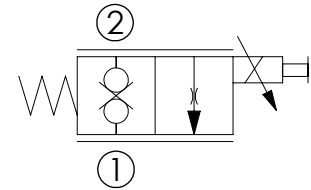
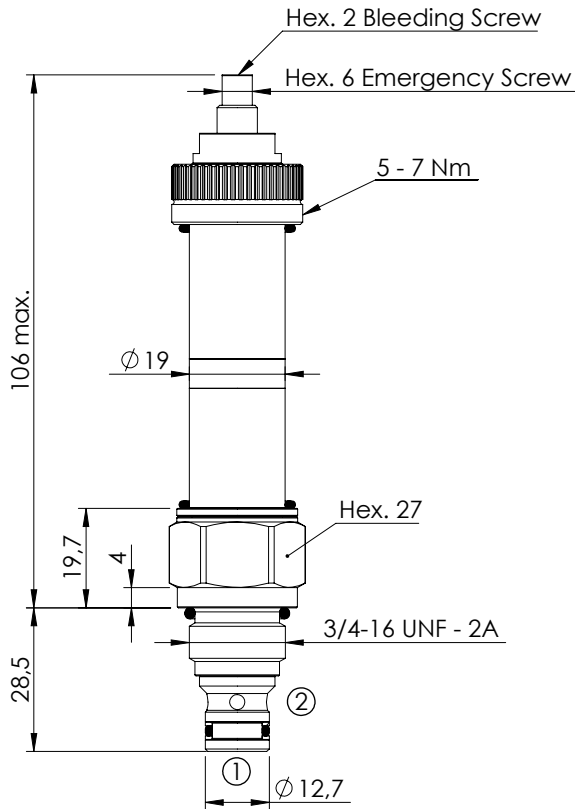


SOLENOID OPERATED CARTRIDGE

CEBS-020-PEPS

**PROPORTIONAL VALVE
NORMALLY CLOSED**

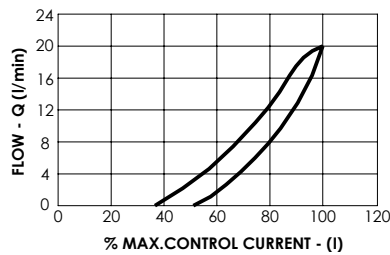
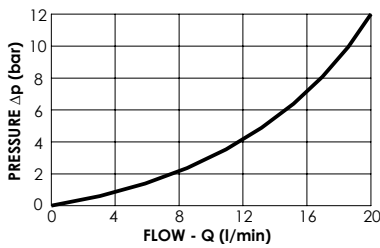


SPECIFICATIONS

Max. operating pressure:	210 bar
Rated flow:	20 l/min
Cavity:	SAE-08-2N
Weight:	0,15 kg
Coil type:	M15 type
Installation torque:	45 - 50 Nm
Recommended PWM range:	120-150 Hz
Seal kit:	RA100081

NOTES

Bleed air before use



ORDERING CODES

Quick code	Description	Rated flow (l/min)	Threshold current (with 12VDC coil)	Max control current (with 12V DC coil)	Override
CE000943	CEBS-020-PEPS-103-S08-V210	20	1000 mA (+/-7%)	2000 mA (+/-7%)	Screw style