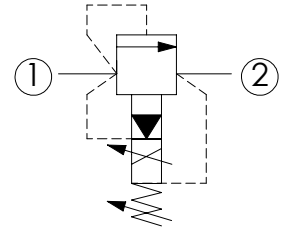
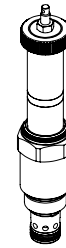
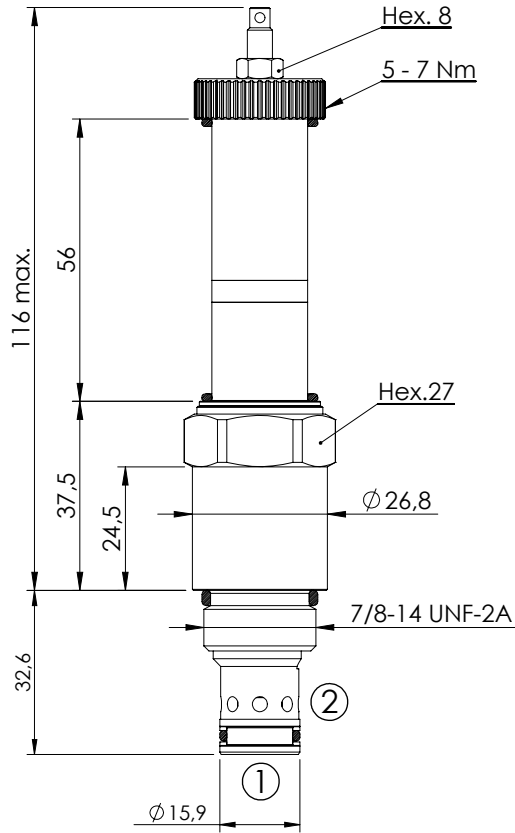


SOLENOID OPERATED CARTRIDGE

CEBT-120-PMPS

**PROPORTIONAL VALVES
PILOTED RELIEF
SPOOL TYPE FOR FAN DRIVE**

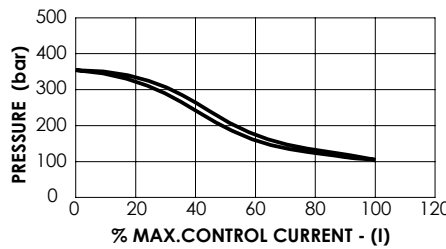
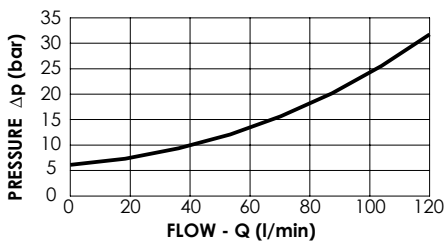


SPECIFICATIONS

Max. operating pressure:	350 bar
Rated flow:	120 l/min
Cavity:	SAE-10-2N
Weight:	0,21 kg
Coil type:	M15 type
Max. int. leakage:	200 cm ³ /min (@46 cSt)
Installation torque:	55 - 62 Nm
PWM range recommended:	150-180 Hz
Seal kit:	RB100082

NOTES

Pressure decreasing with current increasing.
Maximum pressure value can be adjusted manually within a range.



ORDERING CODES

Quick code	Description	Minimum pressure (bar)	Max. pressure setting range (bar)	Standard setting (bar)	Threshold current (with 12VDC coil)	Max control current (with 12V DC coil)
CE000890	CEBT-120-PMPS-91-S10-V350	7	100-350	210	200 mA (+/-7%)	1600 mA (+/-7%)