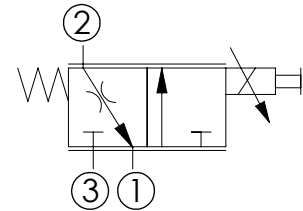
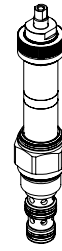
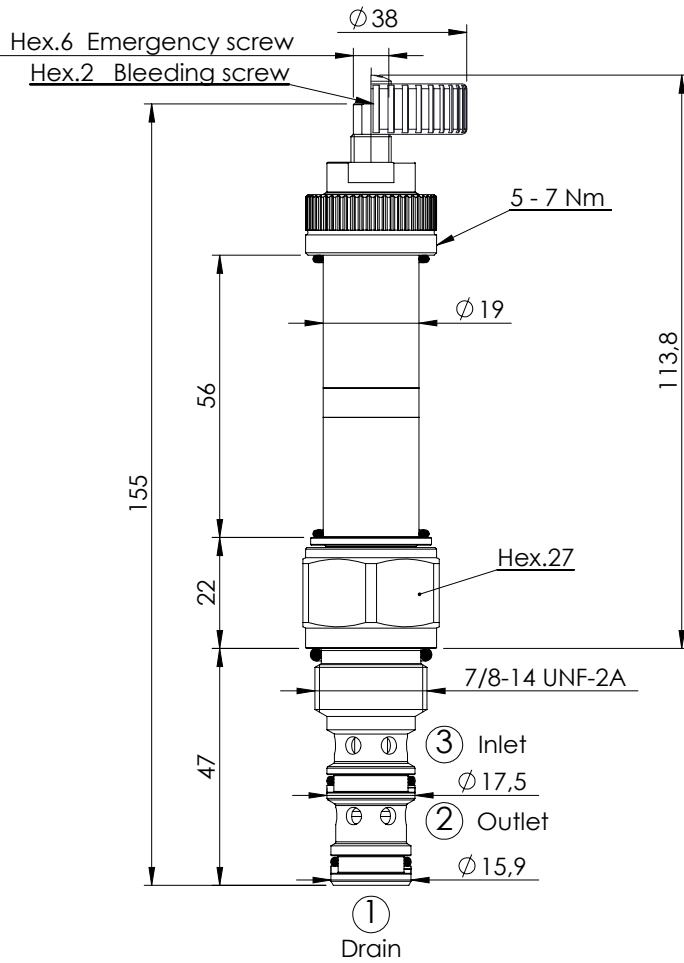


SOLENOID OPERATED CARTRIDGE

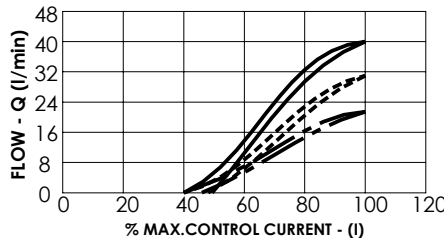
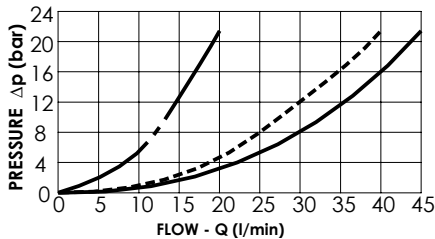
CECS-040-FSPS

**PROPORTIONAL VALVES
NON COMPENSATED
FLOW REGULATOR**



SPECIFICATIONS

Max. operating pressure:	210 bar
Rated flow:	40 l/min
Cavity:	SAE-10-3N
Weight:	0,22 kg
Coil type:	M15 type
Max. int. leakage:	150 cm ³ /min (@46 cSt)
Installation torque:	55 - 62 Nm
Recommended PWM range:	150-180 Hz
Seal kit:	RA100092



CE000111 3>2 ——— CE000112 3>2 - - - - - CE000113 3>2 — - - - -

NOTES

Bleed air before use

ORDERING CODES

Quick code	Description	Rated flow (l/min)	Threshold current (with 12VDC coil)	Max control current (with 12V DC coil)	Override
CE000111	CECS-040-FSPS-85-S10-V210	40	800 mA (+/-7%)	1600 mA (+/-7%)	Screw style
CE000112	CECS-030-FSPS-85-S10-V210	30	700 mA (+/-7%)	1500 mA (+/-7%)	Screw style
CE000113	CECS-020-FSPS-85-S10-V210	20	700 mA (+/-7%)	2400 mA (+/-7%)	Screw style
CE000960	CECS-040-FSPV-85-S10-V210	40	800 mA (+/-7%)	1600 mA (+/-7%)	Handknob style
CE000906	CECS-030-FSPV-85-S10-V210	30	700 mA (+/-7%)	1500 mA (+/-7%)	Handknob style
CE000489	CECS-020-FSPV-85-S10-V210	20	700 mA (+/-7%)	2400 mA (+/-7%)	Handknob style