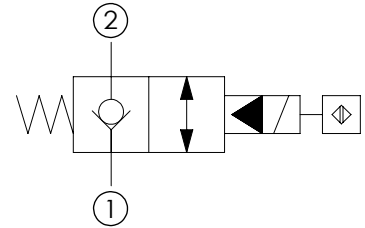
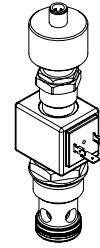
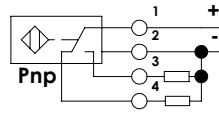
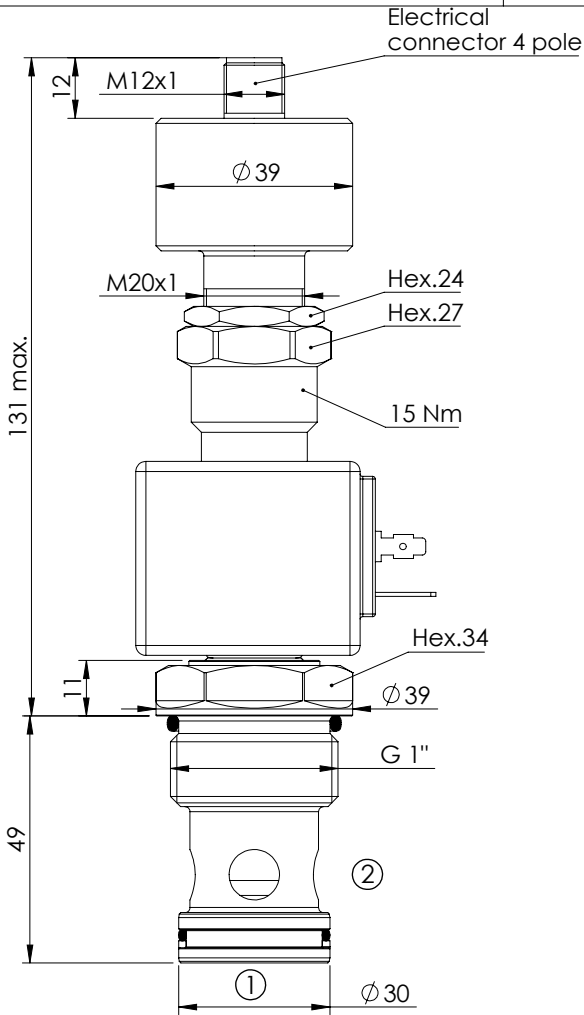


**SOLENOID OPERATED CARTRIDGE**

**CEBN-200-NCFN**

**POPPET TYPE  
PROXIMITY SENSOR**

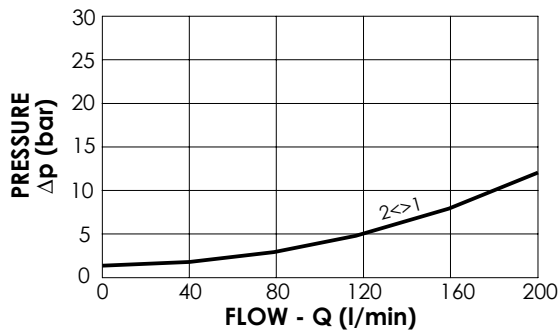


**SPECIFICATIONS**

Max. operating pressure:	350 bar
Rated flow:	200 l/min
Cavity:	VP000013
Weight:	0,71 kg
Coil type:	M7 type
Operating temperature:	-25/+80°C

**NOTES**

Installation torque:	
Seal kit:	RC100013



**ORDERING CODES**

Quick code	Description	Connector	Voltage	Options
CE001092	CEBN-200-NCFN-100-013-V350-12HR	DIN 43650	12V DC	Proximity sensor
CE001093	CEBN-200-NCFK-100-013-V350-24HR	DIN 43650	24V DC	Proximity sensor