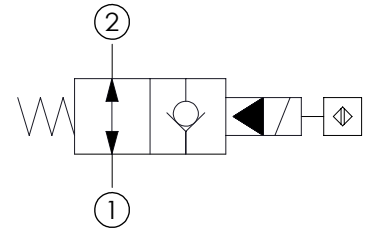
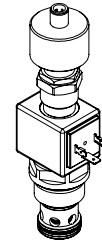
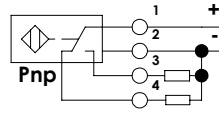
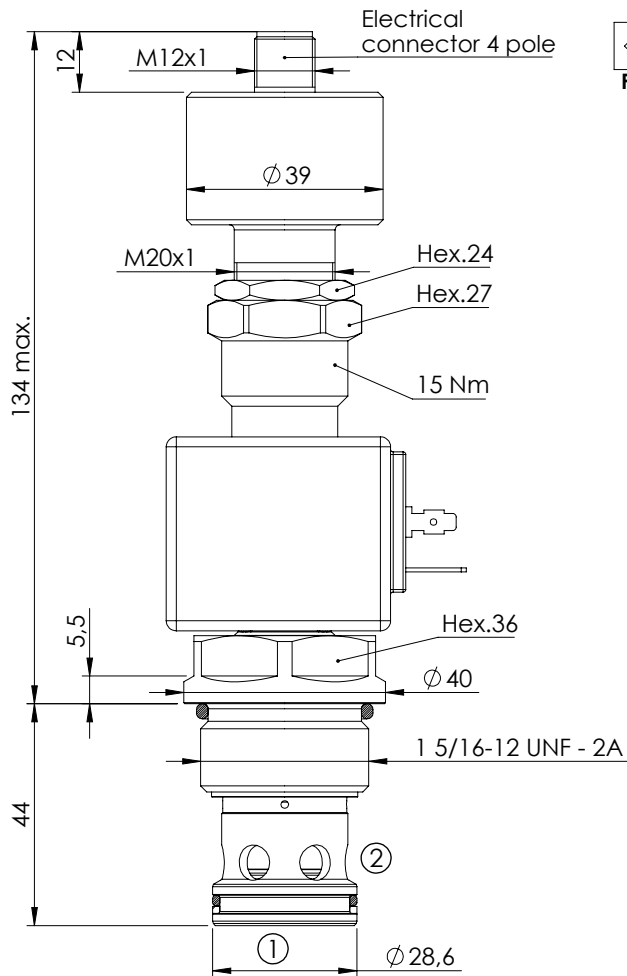


SOLENOID OPERATED CARTRIDGE

CEBN-300-NADR

**POPPET TYPE
PROXIMITY SENSOR**

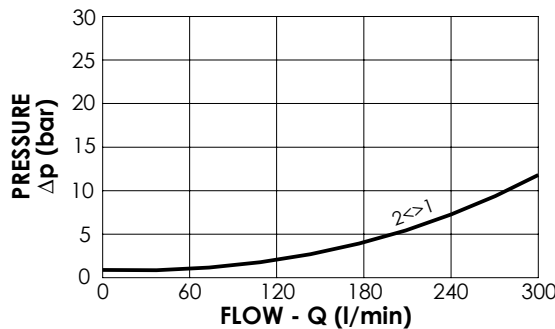


SPECIFICATIONS

Max. operating pressure:	350 bar
Rated flow:	300 l/min
Cavity:	SAE-16-2N
Weight:	0,7 kg
Coil type:	M7 type
Operating temperature:	-25/+80°C

NOTES

Installation torque:	118 - 132 Nm
Seal kit:	RA100084



ORDERING CODES

Quick code	Description	Connector	Voltage	Options
CE001044	CEBN-300-NADR-101-S16-V350-12HR	DIN 43650	12V DC	Proximity sensor
CE001066	CEBN-300-NADR-101-S16-V350-24HR	DIN 43650	24V DC	Proximity sensor