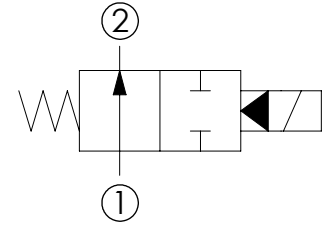
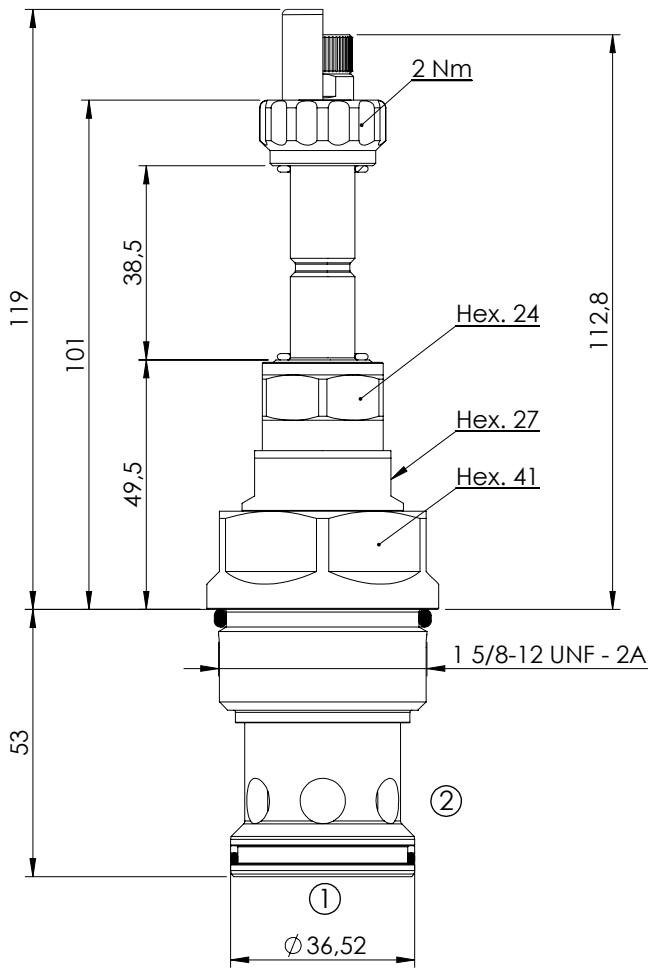


SOLENOID OPERATED CARTRIDGE

CEBT-500-NAFN

**PILOTED OPERATED
SPOOL TYPE**

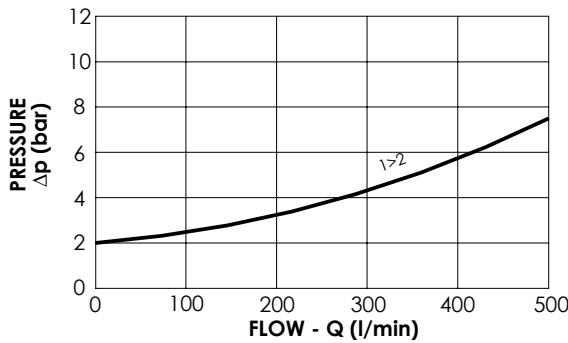


SPECIFICATIONS

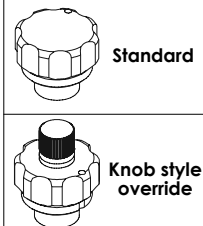
Max. operating pressure:	350 bar
Rated flow:	500 l/min
Cavity:	SAE-20-2N
Weight:	0,7 kg
Coil type:	M7 type
Max. int. leakage:	400 cm ³ /min (@46 cSt)
Seal kit:	RA900085

NOTES

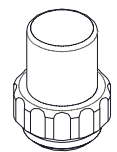
Installation torque: 230 - 250 Nm



OPTIONS



SEALING CAP



Ordering code:
AT000113

ORDERING CODES

Quick code	Description	Options
CE000765	CEBT-500-NAFN-99-S20-N350	Standard
CE000766	CEBT-500-NAFK-99-S20-N350	Knob style override