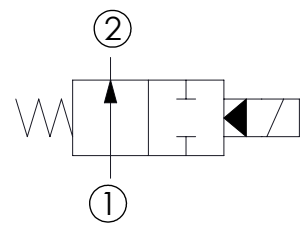
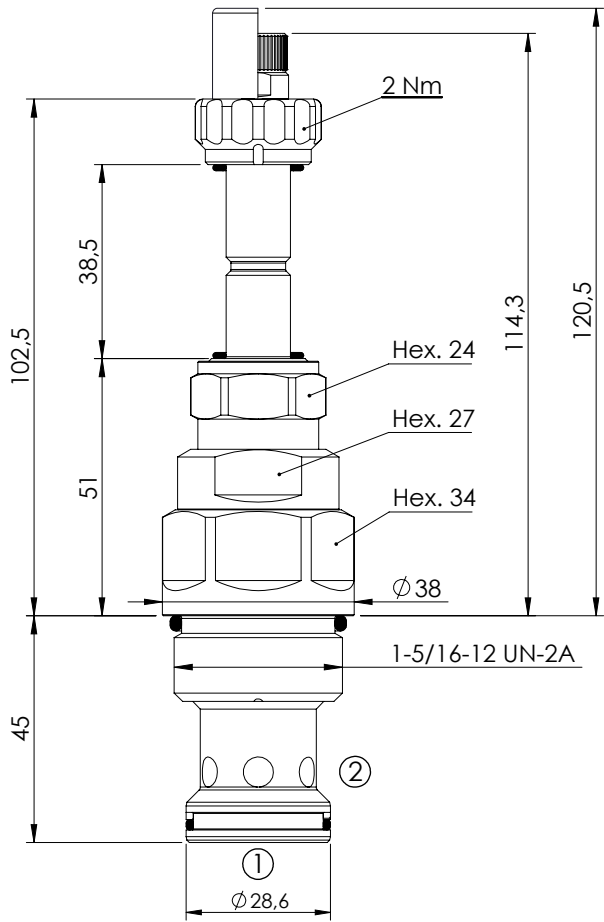


SOLENOID OPERATED CARTRIDGE

CEBT-300-NAFN

**PILOTED RELIEF
SPOOL TYPE**

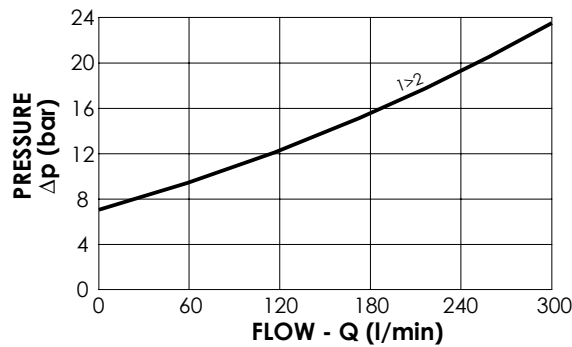


SPECIFICATIONS

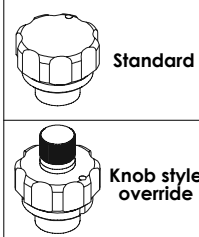
Max. operating pressure:	350 bar
Rated flow:	300 l/min
Cavity:	SAE-16-2N
Weight:	0,5 kg
Coil type:	M7 type
Max. int. leakage:	350 cm ³ /min (@46 cst)
Seal kit:	RA900084

NOTES

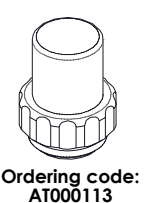
Installation torque: 118 - 132 Nm



OPTIONS



SEALING CAP



Ordering code:
AT000113

ORDERING CODES

Quick code	Description	Options
CE000861	CEBT-300-NAFN-99-S16-N350	Standard
CE000888	CEBT-300-NAFE-99-S16-N350	Knob style override