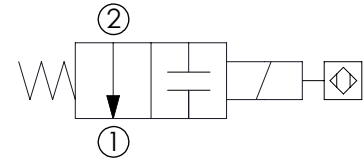
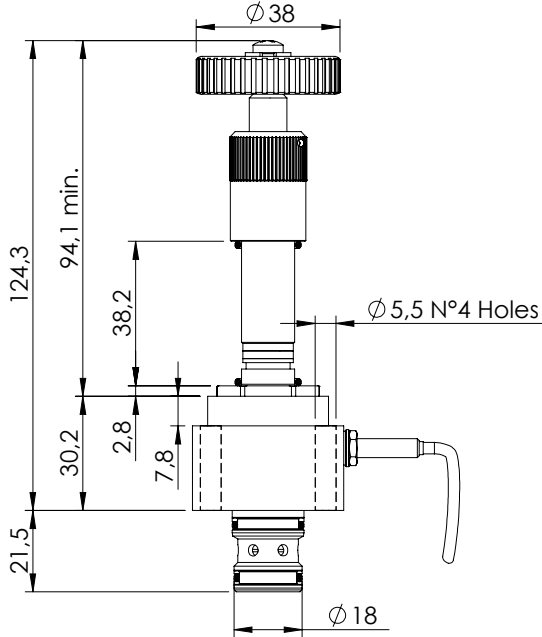
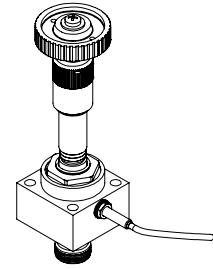
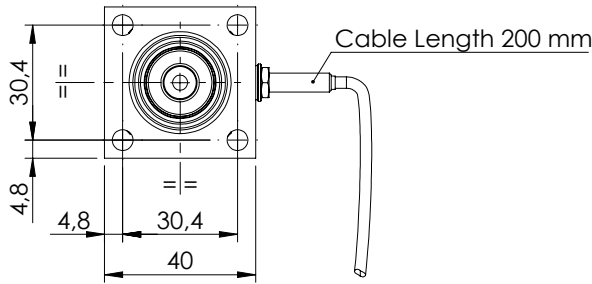
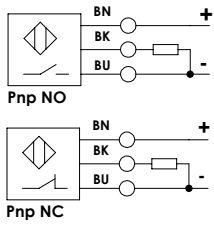


SOLENOID OPERATED CARTRIDGE



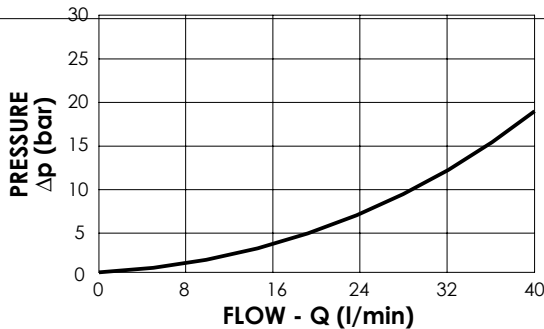
CEBD-040-NAMV

**DIRECT OPERATED
POPPET TYPE
POSITION SENSOR**



SPECIFICATIONS

Max. operating pressure:	350 bar
Rated flow:	40 l/min
Cavity:	VP000338
Weight:	0,4 kg
Coil type:	M14 type
Min. voltage required:	90% of nominal
Max. int. leakage:	200 cc/min (@46 cst)
Installation torque:	5 Nm
Seal kit:	RD700338



NOTES

- To be mounted with M5x30 screws
- Maximum pressure in ②: 100 bar

ORDERING CODES

Quick code	Description	Sensor type
CE000818	CEBD-040-NAMV-97-338-N350	Valve not energized Sensor open (PNP-NO)
CE000819	CEBD-040-NACV-97-338-N350	Valve not energized Sensor closed (PNP-NC)