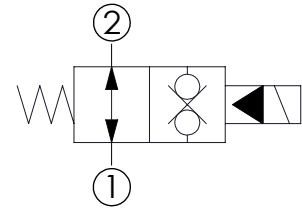
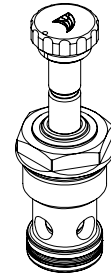
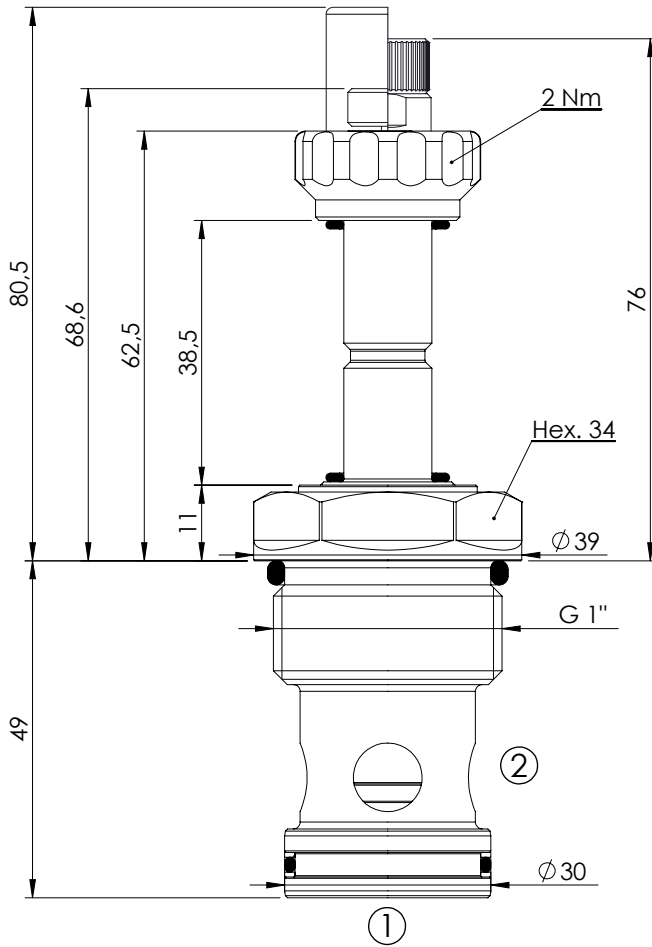


SOLENOID OPERATED CARTRIDGE

CEBN-200-NAFN

**PILOT OPERATED
POPPET TYPE**

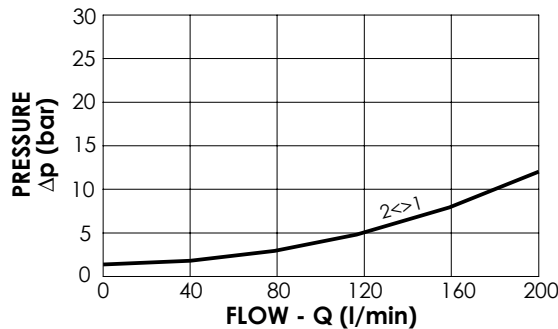


SPECIFICATIONS

Max. operating pressure:	350/500 bar
Rated flow:	200 l/min
Cavity:	VP000013
Weight:	0,35 kg
Min. voltage required:	90% of nominal
Coil type:	M7 type
Seal kit:	RD900013

NOTES

Installation torque: 135 - 150 Nm



OPTIONS	SEALING CAP
Standard	<p>Ordering code: AT000113</p>
Push style override	
Knob style override	

ORDERING CODES

Quick code	Description	Options	Max operating pressure (bar)
CE000382	CEBN-200-NAFN-32-013-N350	Standard	350
CE000383	CEBN-200-NAFP-32-013-N350	Push style override	350
CE000384	CEBN-200-NAFK-32-013-N350	Knob style override	350
CE000682	CEBN-200-NAFN-32-013-N500	Standard	500
CE000683	CEBN-200-NAFP-32-013-N500	Push style override	500
CE000684	CEBN-200-NAFK-32-013-N500	Knob style override	500