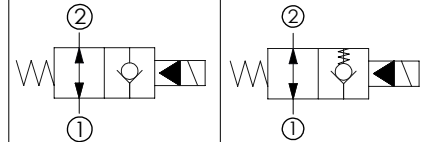
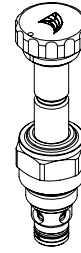
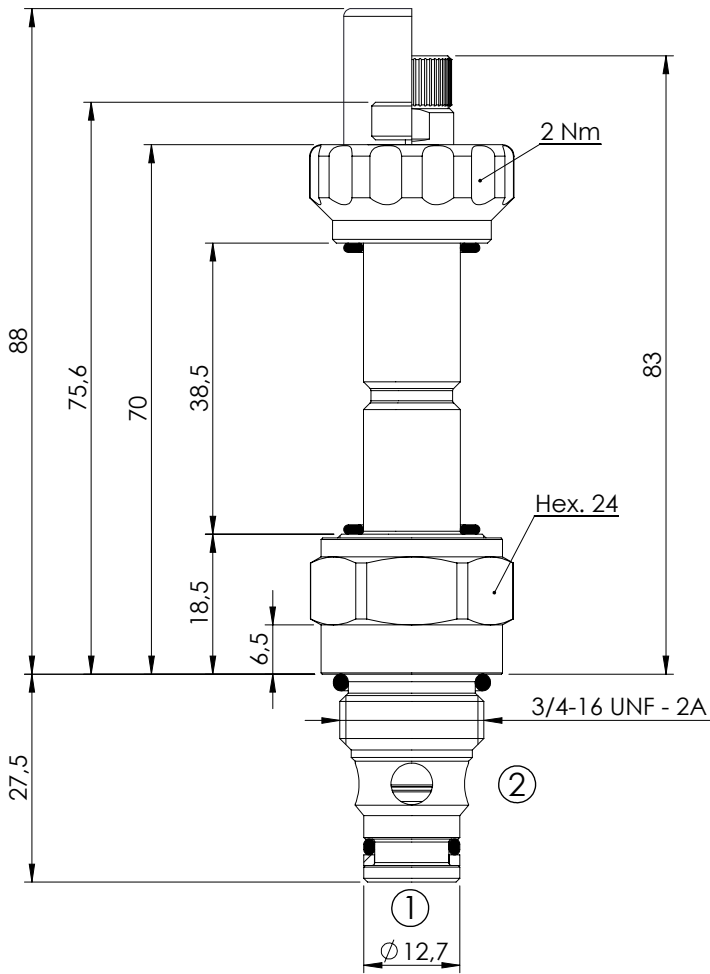


SOLENOID OPERATED CARTRIDGE

CEBN-040-NAFN

**PILOT OPERATED
POPPET TYPE**



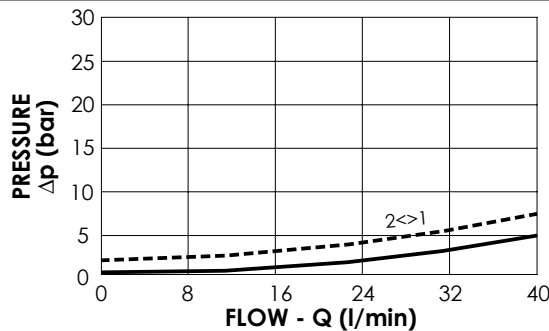
With extra spring

SPECIFICATIONS

Max. operating pressure:	350/500 bar
Rated flow:	40 l/min
Cavity:	SAE-08-2N
Weight:	0,14 kg
Min. voltage required:	90% of nominal
Coil type:	M7 type
Seal kit:	RA900081

NOTES

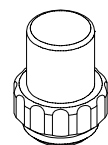
Installation torque: 45 - 50 Nm



OPTIONS

- Standard
- Push style override
- Knob style override

SEALING CAP



Ordering code:
AT000113

ORDERING CODES

Quick code	Description	Options	Max operating pressure (bar)	Extra spring
CE000236	CEBN-040-NAFN-06-S08-N350	Standard	350	No
CE000237	CEBN-040-NAFP-06-S08-N350	Push style override	350	No
CE000238	CEBN-040-NAFK-06-S08-N350	Knob style override	350	No
CE000483	CEBN-040-XAFN-06-S08-N350	Standard	350	Yes
CE000536	CEBN-040-NAFN-06-S08-N500	Standard	500	No
CE000537	CEBN-040-NAFP-06-S08-N500	Push style override	500	No
CE000538	CEBN-040-NAFK-06-S08-N500	Knob style override	500	No