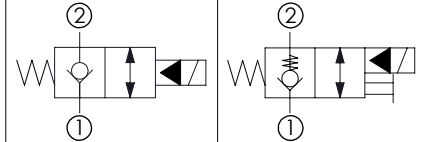
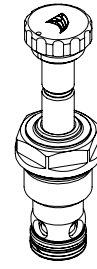
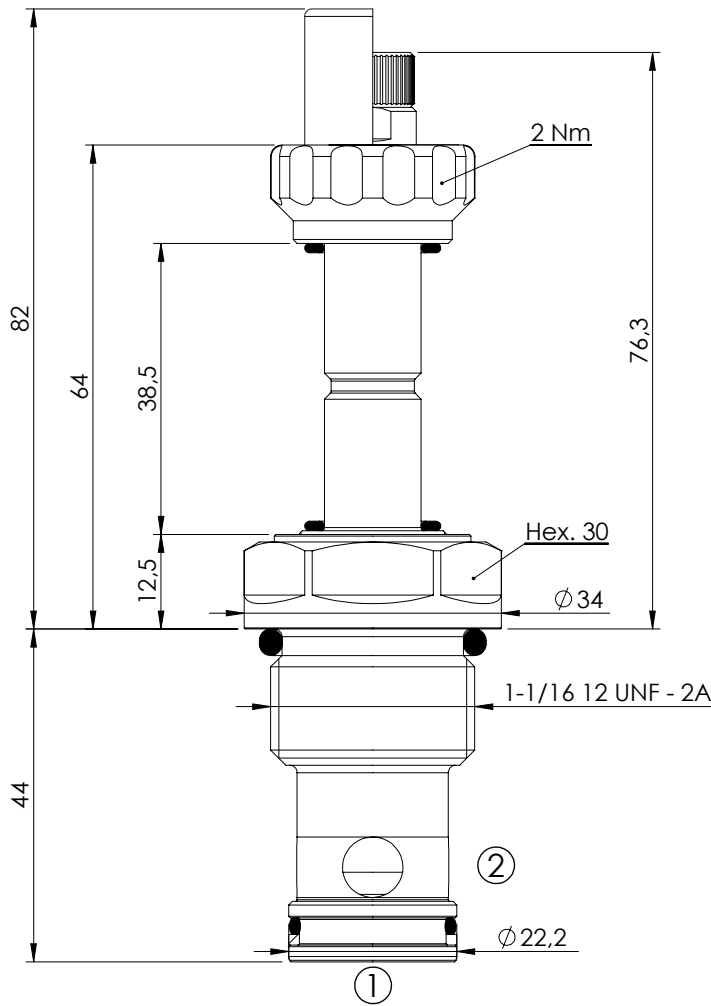


**SOLENOID OPERATED CARTRIDGE**

**CEBN-180-NCFN**

**PILOT OPERATED  
POPPET TYPE**



With extra spring

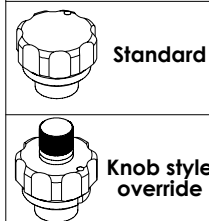
**SPECIFICATIONS**

Max. operating pressure:	350/500 bar
Rated flow:	180 l/min
Cavity:	SAE-12-2N
Weight:	0,25 kg
Min. voltage required:	90% of nominal
Coil type:	M7 type
Seal kit:	RA900083

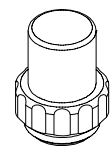
**NOTES**

Installation torque: 135 - 150 Nm

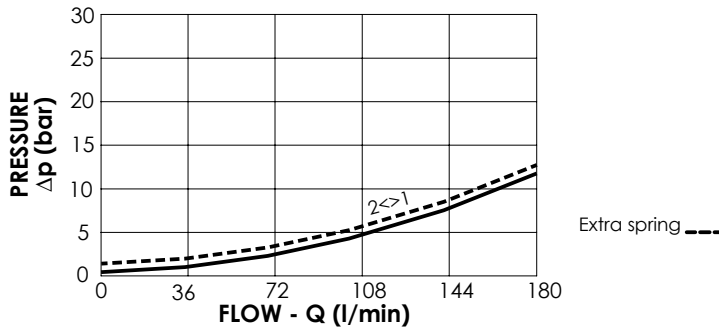
**OPTIONS**



**SEALING CAP**



Ordering code:  
AT000113



**ORDERING CODES**

Quick code	Description	Options	Max operating pressure (bar)	Extra Spring
CE000323	CEBN-180-NCFN-05-S12-N350	Standard	350	No
CE000325	CEBN-180-NCFK-05-S12-N350	Knob style override	350	No
CE000324	CEBN-180-XCFN-05-S12-N350	Standard	350	Yes
CE000326	CEBN-180-XCFK-05-S12-N350	Knob style override	350	Yes
CE000623	CEBN-180-NCFN-05-S12-N500	Standard	500	No
CE000625	CEBN-180-NCFK-05-S12-N500	Knob style override	500	No