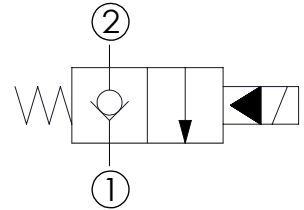
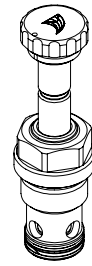
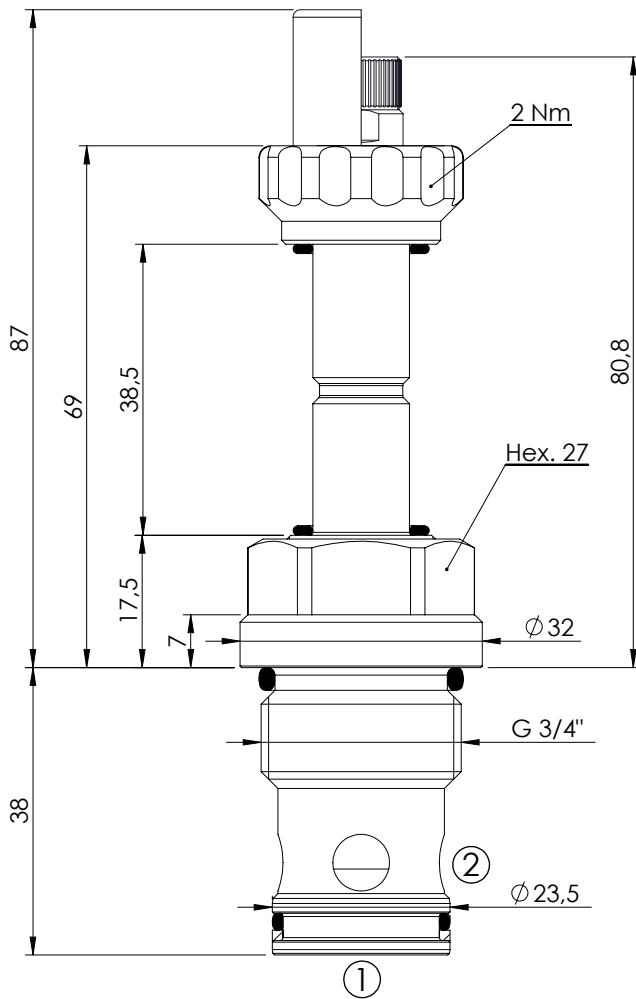


**SOLENOID OPERATED CARTRIDGE**

**CEBN-100-NCFN**

**PILOT OPERATED  
POPPET TYPE**

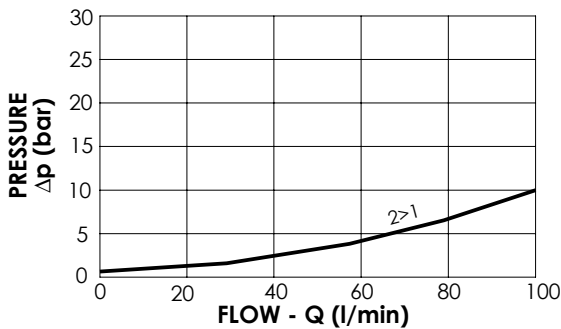


**SPECIFICATIONS**

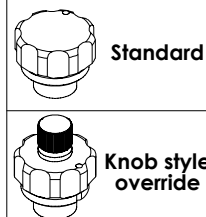
Max. operating pressure:	350/500 bar
Rated flow:	100 l/min
Cavity:	VP000057
Weight:	0,25 kg
Min. voltage required:	90% of nominal
Coil type:	M7 type
Seal kit:	RC900057

**NOTES**

Installation torque: 110 - 130 Nm



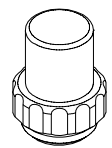
**OPTIONS**



Standard

Knob style  
override

**SEALING CAP**



Ordering code:  
AT000113

**ORDERING CODES**

Quick code	Description	Options	Max operating pressure (bar)
CE000280	CEBN-100-NCFN-01-057-N350	Standard	350
CE000282	CEBN-100-NCFK-01-057-N350	Knob style override	350
CE000580	CEBN-100-NCFN-01-057-N500	Standard	500
CE000582	CEBN-100-NCFK-01-057-N500	Knob style override	500