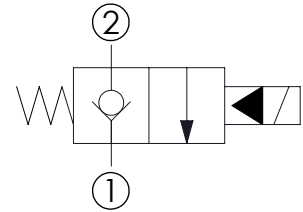
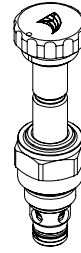
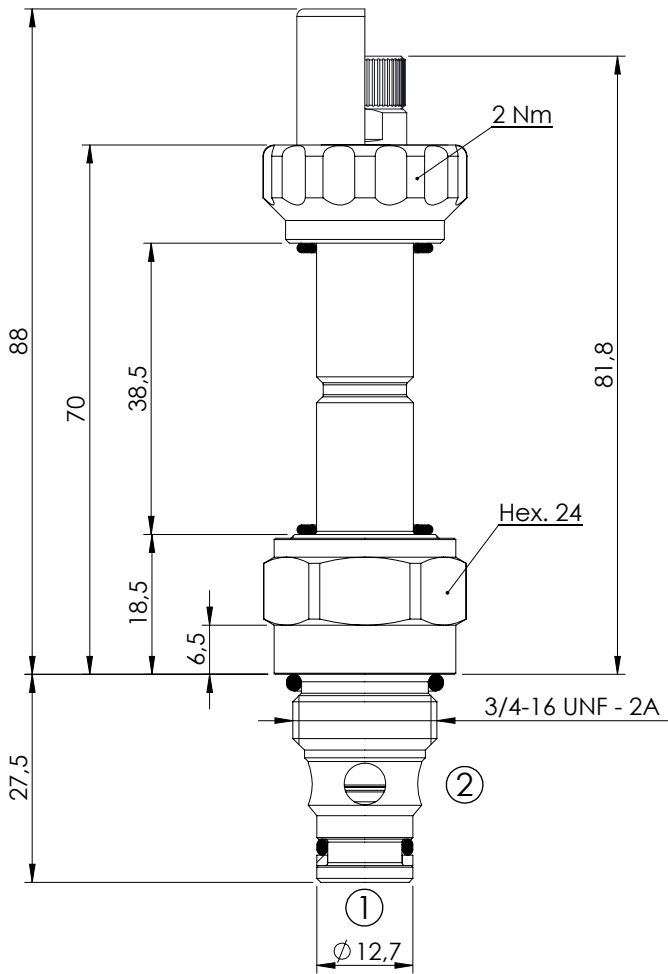


**SOLENOID OPERATED CARTRIDGE**

**CEBN-040-NCFN**

**PILOT OPERATED  
POPPET TYPE**

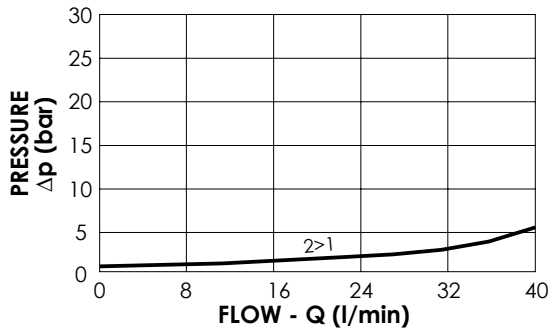


**SPECIFICATIONS**

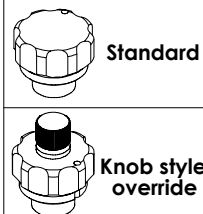
Max. operating pressure:	350/500 bar
Rated flow:	40 l/min
Cavity:	SAE-08-2N
Weight:	0,14 kg
Min. voltage required:	90% of nominal
Coil type:	M7 type
Seal kit:	RA900081

**NOTES**

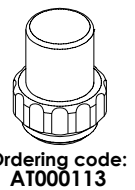
Installation torque: 45 - 50 Nm



**OPTIONS**



**SEALING CAP**



**ORDERING CODES**

Quick code	Description	Options	Max operating pressure (bar)	
CE000210	CEBN-040-NCFN-01-S08-N350	Standard	350	
CE000212	CEBN-040-NCFK-01-S08-N350	Knob style override	350	
CE000510	CEBN-040-NCFN-01-S08-N500	Standard	500	
CE000512	CEBN-040-NCFK-01-S08-N500	Knob style override	500	