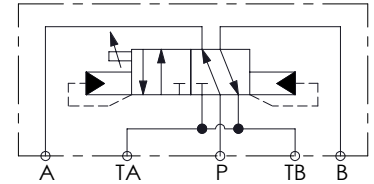
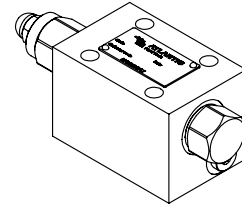
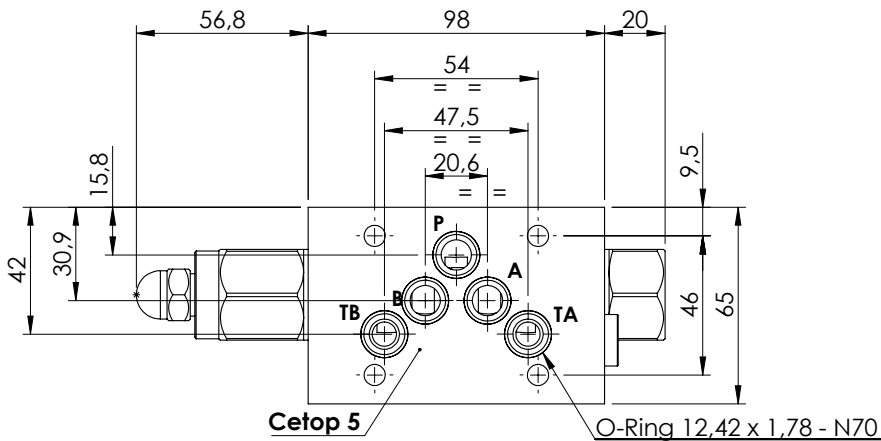
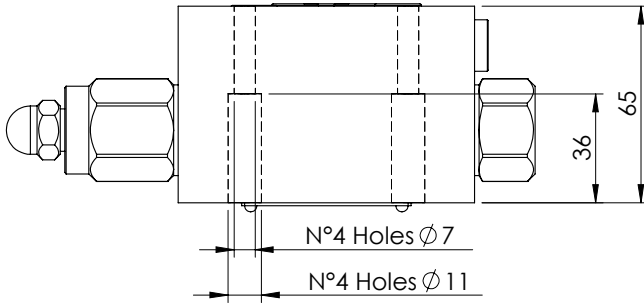


AUTOMATIC DIRECTIONAL VALVE

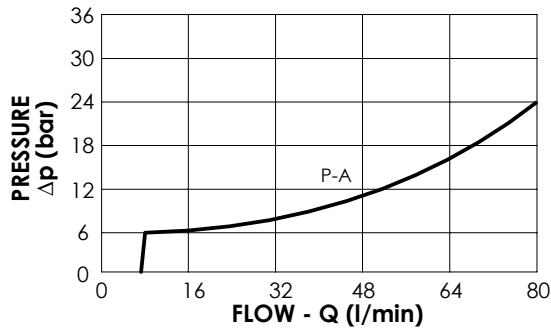
MDAF-080-ANNR

FLOW SWITCHING



SPECIFICATIONS

Max. operating pressure:	350 bar
Rated flow:	80 l/min
Manifold:	Cast iron
Weight:	3,12 kg



NOTES

- Minimum required flow: 6 l/min
- Flexible pipe should be placed between valve and cylinder rod side
- No suitable motor

ORDERING CODES

Quick code	Description	Main ports size	
MD000034	MDAF-080-ANNR-NP-N10-N350	A,P,B,TA,TB : CETOP 5	