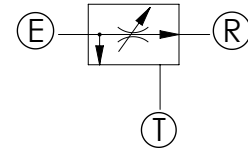
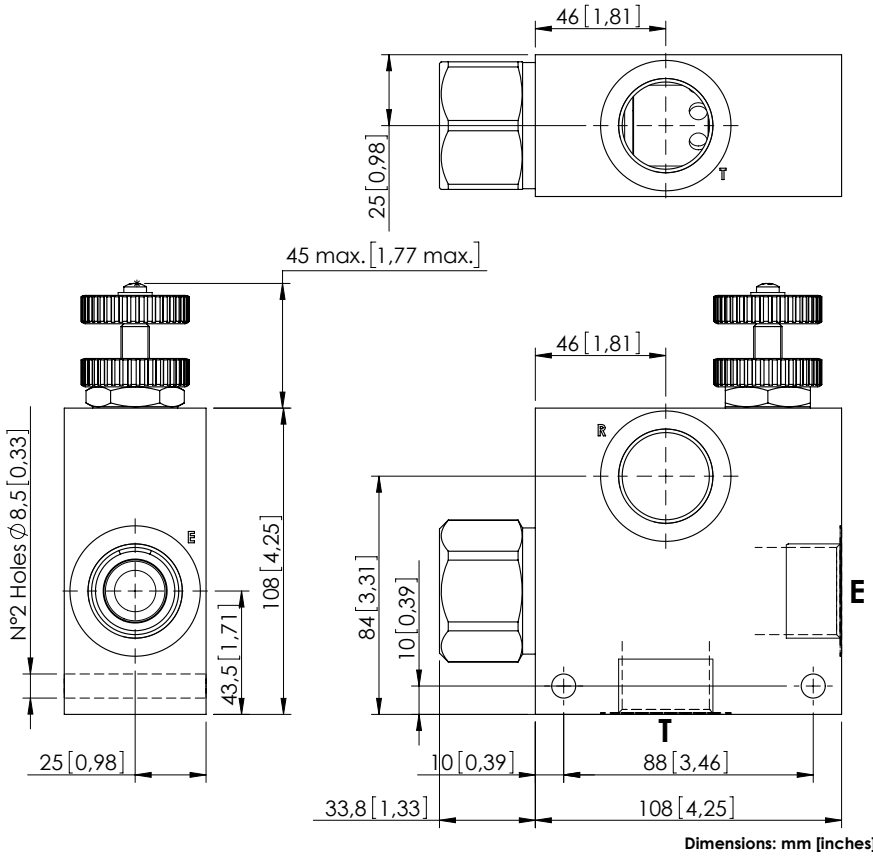


# MFCT-280-RVTR

3 WAYS COMPENSATED



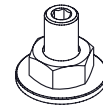
## SPECIFICATIONS

Max. operating pressure:	See table
Rated flow:	See table
Weight:	1,96/4 kg (4,3/8,8 lbs)
Contamination class to ISO 4406:	See technical spec.
MTTFd:	150 years

## NOTES

Regulating: STANDARD

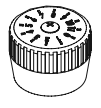
## OPTIONS



Screw and locknut

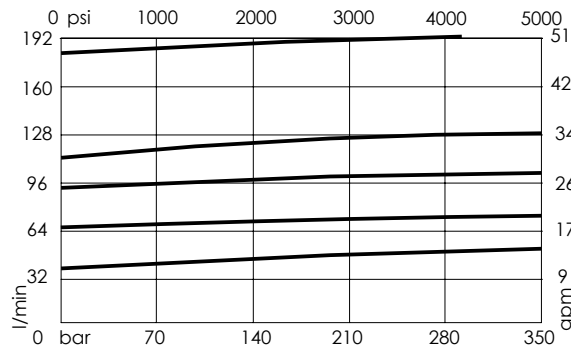


Handknob and locknut



Graduated handknob

## CURVES



## ORDERING CODES

Quick code	Description	Ports	Manifold	Max. pressure	Max. inlet flow	Max. regulated flow	Options
MF000035	MFCT-280-RVTR-19-G10-N210	E,R: G 1"	Aluminium	210 bar (3000 psi)	280 l/min (74 gpm)	190 l/min (50 gpm)	Handknob and locknut
MF000036	MFCT-280-RHTR-19-G10-N210	E,R: G 1"	Aluminium	210 bar (3000 psi)	280 l/min (74 gpm)	190 l/min (50 gpm)	Screw and locknut
MF000037	MFCT-280-RMTR-19-G10-N210	E,R: G 1"	Aluminium	210 bar (3000 psi)	280 l/min (74 gpm)	190 l/min (50 gpm)	Graduated handknob
MF000026	MFCT-280-RVSR-19-G10-N350	E,R: G 1"	Steel	350 bar (5000 psi)	280 l/min (74 gpm)	190 l/min (50 gpm)	Handknob and locknut
MF000027	MFCT-280-RHSR-19-G10-N350	E,R: G 1"	Steel	350 bar (5000 psi)	280 l/min (74 gpm)	190 l/min (50 gpm)	Screw and locknut
MF000028	MFCT-280-RMSR-19-G10-N350	E,R: G 1"	Steel	350 bar (5000 psi)	280 l/min (74 gpm)	190 l/min (50 gpm)	Graduated handknob