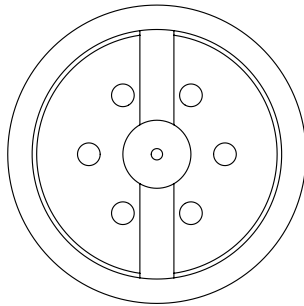
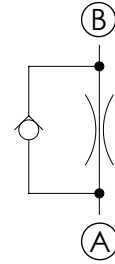
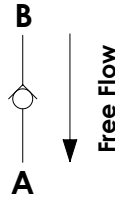
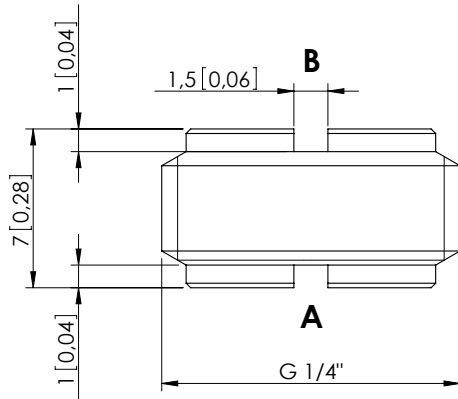


CFFN-015-MFSR

INSERT TYPE
DOUBLE MOUNTING



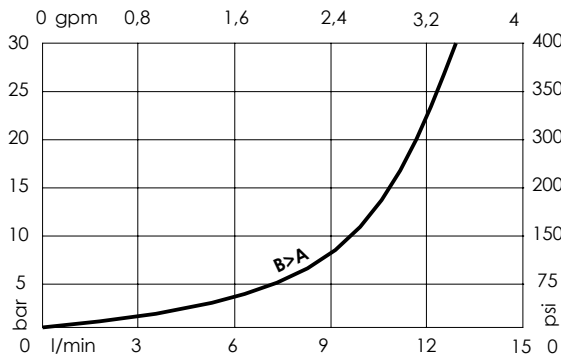
Dimensions: mm [inches]

SPECIFICATIONS

Max. operating pressure:	350 bar (5000 psi)
Rated flow:	15 l/min (4 gpm)
Cavity:	G 1/4"
Weight:	0,01 kg (0,02 lbs)
Installation torque:	5 Nm (4 ft-lb)
Contamination class to ISO 4406:	See technical spec.
MTF _a :	150 years

NOTES

CURVES



ORDERING CODES

Quick code	Description	Ø Orifice	Quick code	Description	Ø Orifice
CF000118	CFFN-015-MFSR-05-G14-N350	0,5 [0,019]	CF000205	CFFN-015-MFSR-13-G14-N350	1,3 [0,051]
CF000119	CFFN-015-MFSR-06-G14-N350	0,6 [0,023]	CF000206	CFFN-015-MFSR-14-G14-N350	1,4 [0,055]
CF000120	CFFN-015-MFSR-07-G14-N350	0,7 [0,027]	CF000123	CFFN-015-MFSR-15-G14-N350	1,5 [0,059]
CF000121	CFFN-015-MFSR-08-G14-N350	0,8 [0,031]	CF000207	CFFN-015-MFSR-16-G14-N350	1,6 [0,063]
CF000203	CFFN-015-MFSR-09-G14-N350	0,9 [0,035]	CF000208	CFFN-015-MFSR-17-G14-N350	1,7 [0,067]
CF000088	CFFN-015-MFSR-10-G14-N350	1 [0,039]	CF000209	CFFN-015-MFSR-18-G14-N350	1,8 [0,071]
CF000204	CFFN-015-MFSR-11-G14-N350	1,1 [0,043]	CF000210	CFFN-015-MFSR-19-G14-N350	1,9 [0,074]
CF000122	CFFN-015-MFSR-12-G14-N350	1,2 [0,047]	CF000124	CFFN-015-MFSR-20-G14-N350	2 [0,079]