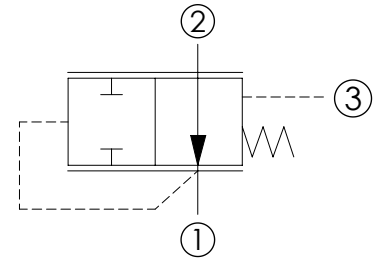
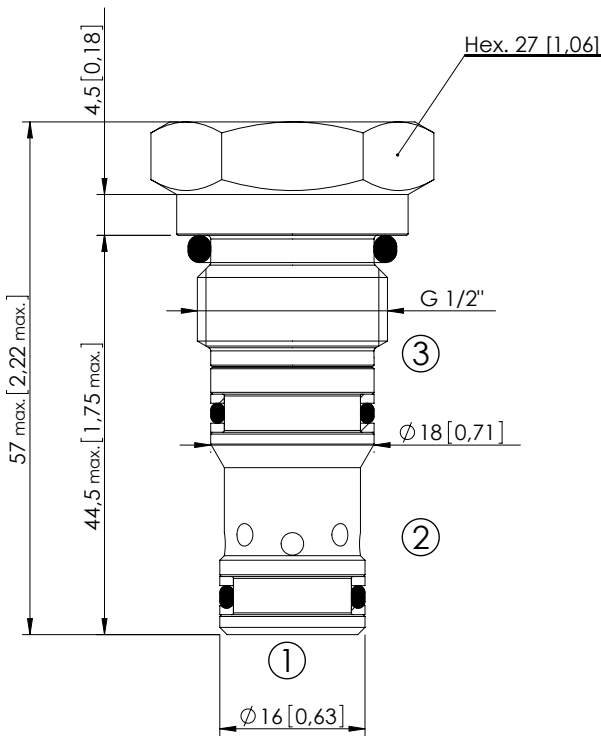


CDLN-060-SCPR

NORMALLY OPEN
SPOOL TYPE



SPECIFICATIONS

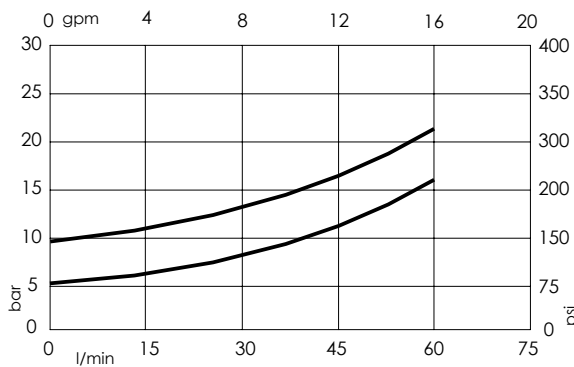
Max. operating pressure:	350 bar (5000 psi)
Rated flow:	60 l/min (16 gpm)
Cavity:	VP000198
Weight:	0,12 kg (0,27 lbs)
Spool:	Ø10 mm [0,39]
Installation torque:	75 - 85 Nm (55 - 63 ft-lb)
Seal kit:	RD700198
Contamination class to ISO 4406:	See technical spec.
MTTF:	150 years

Dimensions: mm [inches]

NOTES

Parts in body compensator

CURVES



ORDERING CODES

Quick code	Description	Closing pressure
CD000078	CDLN-060-SCPR-11-198-N005	5 bar (75 psi)
CD000184	CDLN-060-SCPR-11-198-N009	9,5 bar (150 psi)